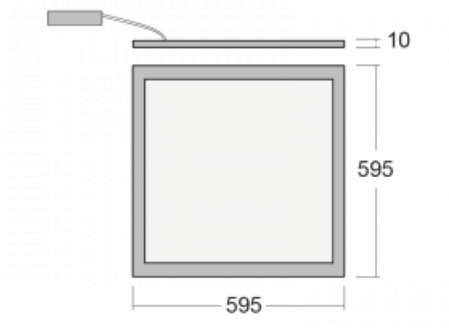



Luminaire

Pleki

910-0001-10GGM3/840, W

The product is only available on request.


Technical drawing


| | |
|---------------------------|------------------------------|
| Type of installation | Recessed, Suspended |
| Light distribution | Direct |
| Luminaire shape | Angular |
| Colour of the luminaires | White |
| Material | Aluminium |
| Lifetime | L90/B50 54 000 hours |
| Warranty | 5 years |
| Description of luminaires | Luminaire recessed/suspended |
| Dimensions | 595 mm × 595 mm × 10 mm |
| Weight | 4 kg |

| | |
|------------------------------|-----------------------|
| Type of optical system | Microprisma |
| Luminous flux* | 3900 lm |
| Colour Temperature | 4000 K cool white |
| Luminous efficacy | 130 lm/W |
| Colour rendering index | 80 |
| Luminaire power input* | 30 W |
| Connection of the luminaires | ON/OFF + 3h emergency |
| Electrical voltage | 220-240V |
| Frequency | 50/60Hz |

 **CE IP 20**

*±10 %