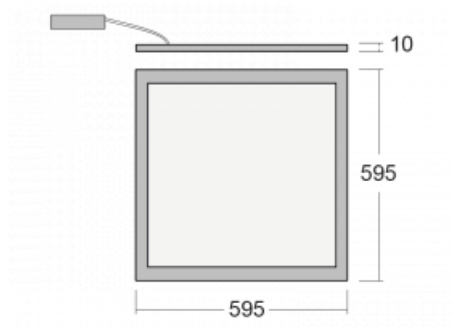



Luminaire

Pleki

910-0001-10GGD/M3/840, W

The product is only available on request.


Technical drawing


Type of installation	Recessed, Suspended
Light distribution	Direct
Luminaire shape	Angular
Colour of the luminaires	White
Material	Aluminium
Lifetime	L90/B50 54 000 hours
Warranty	5 years
Description of luminaires	Luminaire recessed/suspended
Dimensions	595 mm × 595 mm × 10 mm
Weight	3.5 kg

Type of optical system	Microprisma
Luminous flux*	3900 lm
Colour Temperature	4000 K cool white
Luminous efficacy	130 lm/W
Colour rendering index	80
Luminaire power input*	30 W
Electrical voltage	220-240V
Frequency	50/60Hz


CE IP 20

*±10 %