



Luminaire

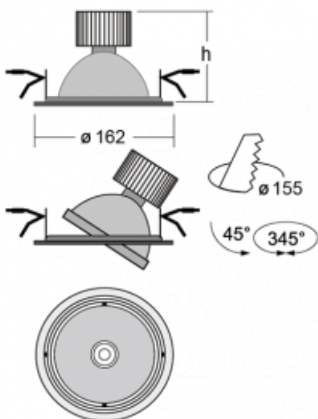
Basi

70-003S-10GJV/830, W +
00-00155DI



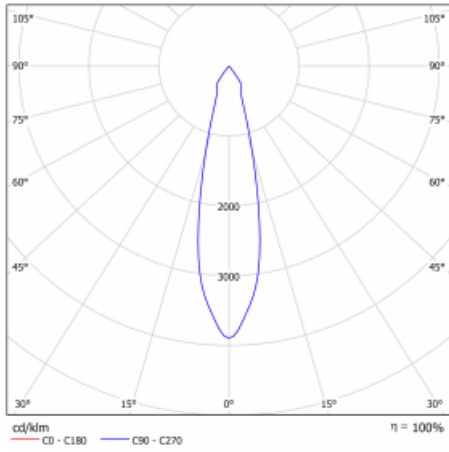
The Basi family of luminaires can be described simply – it has perfect light parameters and contains special sources. The high-brightness LEDs with colour rendering of $Ra > 80$ or $Ra > 90$ perfectly illuminates the desired object. That is what makes Basi especially suitable for shopping centres, cultural spaces or car showrooms. The RealColour technology with colour rendering of $Ra > 97$ shows the colours of objects as naturally as daylight. StrongColour will highlight the desired colour and RealWhite will further improve the illumination of white objects. The luminaire is tiltable so if you need to illuminate moving objects, simply direct the luminous flux.

Technical drawing



| | |
|---------------------------|----------------------|
| Type of installation | Recessed |
| Light distribution | Direct |
| Luminaire shape | Circular |
| Colour of the luminaires | White |
| Material | Sheet metal |
| Lifetime | L80/B20 50 000 hours |
| Warranty | 5 years |
| Description of luminaires | Luminaire recessed |
| Dimensions | ø 162 mm × 115 mm |
| Weight | 0.75 kg |
| Light source | LED MODUL |
| Type of optical system | Reflector |
| Luminous flux* | 4230 lm |
| Colour Temperature | 3000 K warm white |
| Luminous efficacy | 95 lm/W |
| MacAdam Light source | 3 |
| Colour rendering index | 80 |
| Beam angle | 24° |

Curve



Luminaire power input* 44.5 W

Connection of the luminaires DALI

Electrical voltage 220-240V

Frequency 50/60Hz

☐ CE IP 20

*±10 %

Downloads

Installation instructions



Photos

