

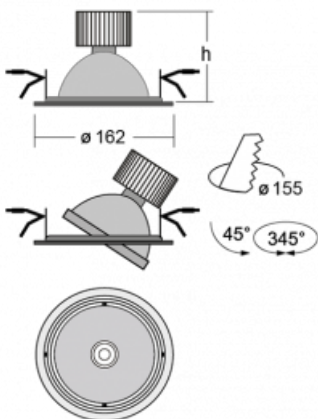

Luminaire

Basi

70-003F-10GJV/M/840, B +
00-00152M3



The Basi family of luminaires can be described simply – it has perfect light parameters and contains special sources. The high-brightness LEDs with colour rendering of Ra>80 or Ra>90 perfectly illuminates the desired object. That is what makes Basi especially suitable for shopping centres, cultural spaces or car showrooms. The RealColour technology with colour rendering of Ra>97 shows the colours of objects as naturally as daylight. StrongColour will highlight the desired colour and RealWhite will further improve the illumination of white objects. The luminaire is tiltable so if you need to illuminate moving objects, simply direct the luminous flux.

Technical drawing


Type of installation	Recessed
Light distribution	Direct
Luminaire shape	Circular
Colour of the luminaires	Black
Material	Sheet metal
Lifetime	L80/B10 50 000 hours
Warranty	2 years
Description of luminaires	Luminaire recessed
Dimensions	∅ 162 mm × 95 mm
Type of optical system	Reflector
Luminous flux*	2190 lm
Colour Temperature	4000 K cool white
Luminous efficacy	122 lm/W
MacAdam Light source	3
Colour rendering index	80
Beam angle	41°
Luminaire power input*	18 W
Connection of the luminaires	ON/OFF + 3h emergency
Electrical voltage	220-240V
Frequency	50/60Hz

 **CE IP 20**

*±10 %

Downloads

Installation instructions



Photos

