



Luminaire

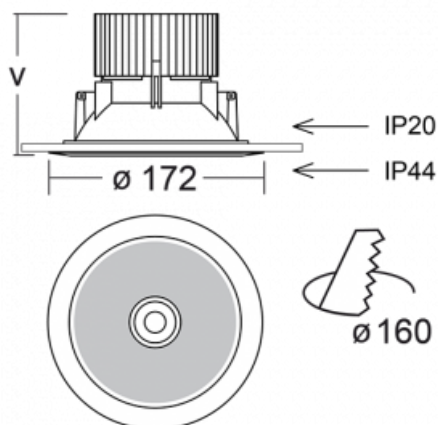
Ravo

55-072K-10GHV/M/830, B +
00-00153MI



This circular downlight luminaire has been designed for LED sources with an efficacy of up to 130 lm/W. Ravo luminaires have been made of polycarbonate plastic and a passive aluminium heat sink. The IP44 class provided by the versions with clear or structured plexiglass protects against the penetration of water and foreign matter. Ravo luminaire with a wider beam angle is a good solution for commercial and social spaces, car showrooms and communication zones. Its great advantage is the possibility to fit into a hole up to 230 mm in diameter with the help of additional accessories.

Technical drawing



| | |
|-----------------------------------|----------------------|
| Type of installation | Recessed |
| Light distribution | Direct |
| Luminaire shape | Circular |
| Colour of the luminaires | Black |
| Material | Plastic |
| Lifetime | L80/B10 50 000 hours |
| Warranty | 5 years |
| Description of luminaires | Luminaire recessed |
| Dimensions | ∅ 172 mm × 85 mm |
| Weight | 0.5 kg |
| Type of optical system | Opal diffuser |
| Luminous flux* | 2320 lm |
| Colour Temperature | 3000 K warm white |
| Luminous efficacy | 95 lm/W |
| MacAdam Light source | 3 |
| Colour rendering index | 80 |
| Beam angle | 64° |
| UGR max. X=4H Y=8H, ρ=70,50,20 | 18.8 |

| | |
|------------------------------|-----------------------|
| Luminaire power input* | 24.5 W - 24 W |
| Connection of the luminaires | ON/OFF + 1h emergency |
| Electrical voltage | 220-240V |
| Frequency | 50/60Hz |

 **CE** IP 44

*±10 %

Downloads

Installation instructions



Photos



Accessories



55-0002, W