



Luminaire

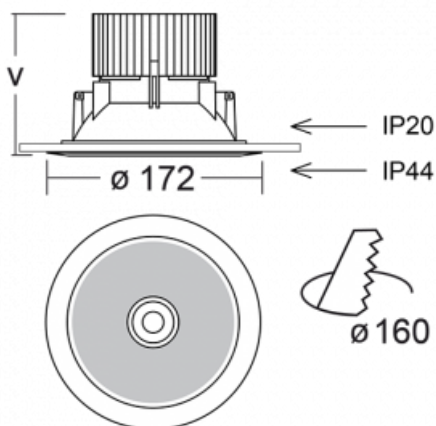
Ravo

55-062C-10GGQ/TC, S



This circular downlight luminaire has been designed for LED sources with an efficacy of up to 130 lm/W. Ravo luminaires have been made of polycarbonate plastic and a passive aluminium heat sink. The IP44 class provided by the versions with clear or structured plexiglass protects against the penetration of water and foreign matter. Ravo luminaire with a wider beam angle is a good solution for commercial and social spaces, car showrooms and communication zones. Its great advantage is the possibility to fit into a hole up to 230 mm in diameter with the help of additional accessories.

Technical drawing



| | |
|-----------------------------------|-------------------------------|
| Type of installation | Recessed |
| Light distribution | Direct |
| Luminaire shape | Circular |
| Colour of the luminaires | Silver |
| Material | Plastic |
| Lifetime | L80/B20 50 000 hours |
| Warranty | 5 years |
| Description of luminaires | Luminaire recessed |
| Dimensions | ∅ 172 mm × 105 mm |
| Weight | 0.97 kg |
| Light source | LED MODUL |
| Type of optical system | Clear cover |
| Luminous flux* | 1640 lm |
| Colour Temperature | 2700 K - 6500 K Tunable White |
| Luminous efficacy | 64 lm/W |
| MacAdam Light source | 3 |
| Colour rendering index | 90 |
| Beam angle | 62° |
| UGR max. X=4H Y=8H, ρ=70,50,20 | 19.8 |

| | |
|------------------------------|----------|
| Luminaire power input* | 25.5 W |
| Connection of the luminaires | DALI DT8 |
| Electrical voltage | 220-240V |
| Frequency | 50/60Hz |

 **CE** IP 44

*±10 %

Downloads

Installation instructions



Photos



Accessories



55-0002, W