


Luminaire

Rundo 24

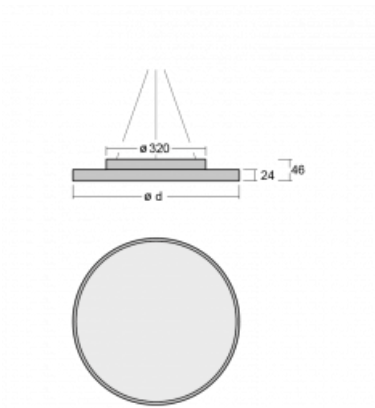
290-261K-10GGD/840, B +
00-00334, B



Circular luminaires with an aluminium profile come in height 24 mm. Rundo24 luminaires feature an excellent efficacy of up to 145 lm/W, which can give the space lightness and appeal. The luminaires are pendant or flush-mounted, with direct or direct-indirect distribution of light creating an interesting light halo. A circular luminaire with a PMMA opal diffuser or microprismatic optical system is suitable for both commercial spaces and households. A playful and interesting effect can be created by combining different diameters. Luminaires can be equipped with a motion sensor, daylight sensor or Bluetooth technology, which allows easy control of the luminaire from your smart device.

| | |
|-----------------------------------|----------------------|
| Type of installation | Suspended |
| Light distribution | Direct-indirect |
| Luminaire shape | Circular |
| Colour of the luminaires | Black |
| Material | Aluminium |
| Lifetime | L80/B20 50 000 hours |
| Warranty | 5 years |
| Description of luminaires | Luminaire suspended |
| Dimensions | ø 630 mm × 24 mm |
| Weight | 6.6 kg |
| Light source | LED MODUL |
| Type of optical system | Opal diffuser |
| Luminous flux* | 3600 lm |
| Colour Temperature | 4000 K cool white |
| Luminous efficacy | 150 lm/W |
| MacAdam Light source | 3 |
| Colour rendering index | 80 |
| UGR max. X=4H Y=8H, ρ=70,50,20 | 18.8 |

Technical drawing



Luminaire power input* 24 W

Connection of the luminaires DALI

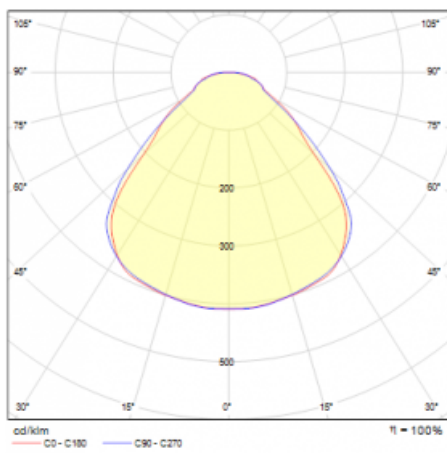
Electrical voltage 220-240V

Frequency 50/60Hz

⊕ CE IP 40

*±10 %

Curve



Downloads

Installation instructions



Photos

