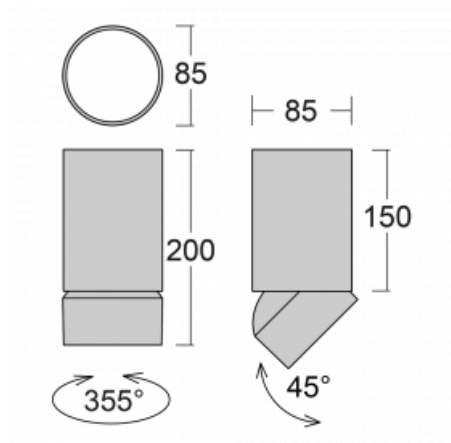



**Luminaire**

# Shift-C

26-500U-10GGD/930, B


**Technical drawing**


|                           |                      |
|---------------------------|----------------------|
| Type of installation      | Suspended            |
| Light distribution        | Direct               |
| Luminaire shape           | Circular             |
| Colour of the luminaires  | Black                |
| Material                  | Aluminium            |
| Lifetime                  | L80/B20 50 000 hours |
| Warranty                  | 5 years              |
| Description of luminaires | Luminaire suspended  |
| Dimensions                | ø 85 mm × 200 mm     |
| Light source              | LED MODUL            |
| Type of optical system    | Reflector            |
| Luminous flux*            | 1720 lm              |
| Colour Temperature        | 3000 K warm white    |
| Luminous efficacy         | 99 lm/W              |
| MacAdam Light source      | 3                    |
| Colour rendering index    | 90                   |
| Beam angle                | 25°                  |

## Curve



Luminaire power input\* 17.3 W

Connection of the luminaires DALI

Electrical voltage 220-240V

Frequency 50/60Hz

⊕ CE IP 20

\*±10 %

**Accessories****00-01000**  
reflector 18°**00-01001**  
reflector 25°**00-01002**  
reflector 32°**00-01003**  
reflector 52°**00-01100**  
Satinice diffuser**00-01101**  
Linear optic