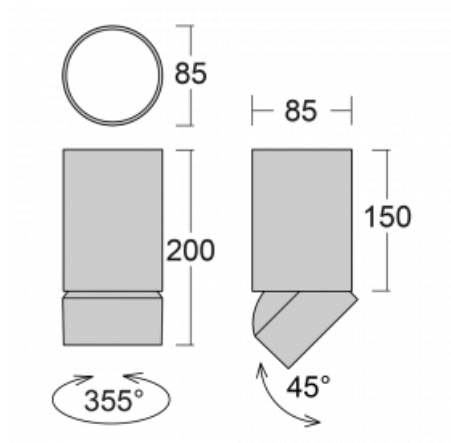



Luminaire

Shift-C

26-500U-10GDD/930, S


Technical drawing


Type of installation	Suspended
Light distribution	Direct
Luminaire shape	Circular
Colour of the luminaires	Silver
Material	Aluminium
Lifetime	L80/B20 50 000 hours
Warranty	5 years
Description of luminaires	Luminaire suspended
Dimensions	ø 85 mm × 200 mm
Light source	LED MODUL
Type of optical system	Reflector
Luminous flux*	1000 lm
Colour Temperature	3000 K warm white
Luminous efficacy	105 lm/W
MacAdam Light source	3
Colour rendering index	90
Beam angle	25°

Curve



Luminaire power input* 9.5 W

Connection of the luminaires DALI

Electrical voltage 220-240V

Frequency 50/60Hz

⊕ CE IP 20

*±10 %

Accessories**00-01000**
reflector 18°**00-01001**
reflector 25°**00-01002**
reflector 32°**00-01003**
reflector 52°**00-01100**
Satinice diffuser**00-01101**
Linear optic