

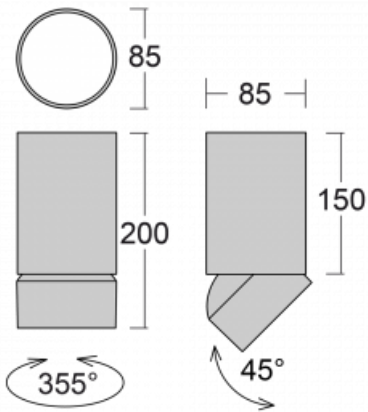

Luminaire

Shift-C

26-200W-10GDE/930, W



| | |
|---------------------------|----------------------|
| Type of installation | Surface |
| Light distribution | Direct |
| Luminaire shape | Circular |
| Colour of the luminaires | White |
| Material | Aluminium |
| Lifetime | L80/B20 50 000 hours |
| Warranty | 5 years |
| Description of luminaires | Luminaire surface |
| Dimensions | ø 85 mm × 200 mm |
| Weight | 1.1 kg |
| Light source | LED MODUL |

Technical drawing


| | |
|------------------------|-------------------|
| DIR optical system | Reflector |
| Luminous flux* | 1000 lm |
| Colour Temperature | 3000 K warm white |
| Luminous efficacy | 105 lm/W |
| MacAdam Light source | 3 |
| Colour rendering index | 90 |
| Beam angle | 52° |

Curve



Luminaire power input* 9.5 W

Connection of the luminaires ON/OFF

Electrical voltage 220-240V

Frequency 50/60Hz

⊕ CE IP 20

*±10 %

Downloads

Installation instructions



Photos



Accessories**00-01000**
reflector 18°**00-01001**
reflector 25°**00-01002**
reflector 32°**00-01003**
reflector 52°**00-01100**
Satinice diffuser**00-01101**
Linear optic