



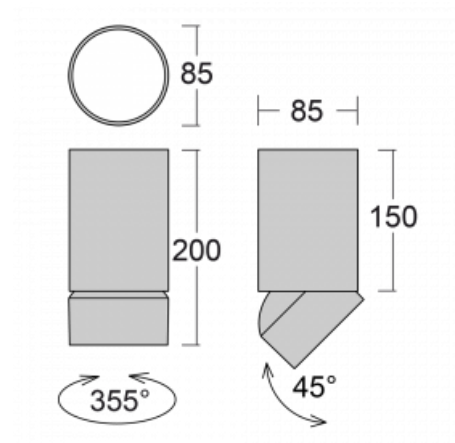
Luminaire

Shift-C

26-200U-10GDE/940, W



Technical drawing



| | |
|------------------------------|----------------------|
| Type of installation | Surface |
| Light distribution | Direct |
| Luminaire shape | Circular |
| Colour of the luminaires | White |
| Material | Aluminium |
| Lifetime | L80/B20 50 000 hours |
| Warranty | 5 years |
| Description of luminaires | Luminaire surface |
| Dimensions | ø 85 mm × 200 mm |
| Light source | LED MODUL |
| DIR optical system | Reflector |
| Luminous flux* | 1060 lm |
| Colour Temperature | 4000 K cool white |
| Luminous efficacy | 112 lm/W |
| MacAdam Light source | 3 |
| Colour rendering index | 90 |
| Beam angle | 25° |
| Luminaire power input* | 9.5 W |
| Connection of the luminaires | ON/OFF |
| Electrical voltage | 220-240V |
| Frequency | 50/60Hz |



*±10 %

Curve



Downloads

Installation instructions



Photos



Accessories**00-01000**
reflector 18°**00-01001**
reflector 25°**00-01002**
reflector 32°**00-01003**
reflector 52°**00-01100**
Satinice diffuser**00-01101**
Linear optic