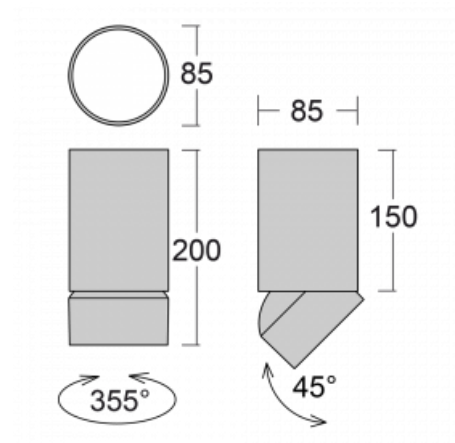



**Luminaire**

# Shift-C

26-200U-10GDE/930, S


**Technical drawing**


Type of installation	Surface
Light distribution	Direct
Luminaire shape	Circular
Colour of the luminaires	Silver
Material	Aluminium
Lifetime	L80/B20 50 000 hours
Warranty	5 years
Description of luminaires	Luminaire surface
Dimensions	ø 85 mm × 200 mm
Light source	LED MODUL
DIR optical system	Reflector
Luminous flux*	1000 lm
Colour Temperature	3000 K warm white
Luminous efficacy	105 lm/W
MacAdam Light source	3
Colour rendering index	90
Beam angle	25°
Luminaire power input*	9.5 W
Connection of the luminaires	ON/OFF
Electrical voltage	220-240V
Frequency	50/60Hz


**CE** IP 20

\*±10 %

# Curve



## Downloads

Installation instructions



Photos



**Accessories**

**00-01000**  
reflector 18°



**00-01001**  
reflector 25°



**00-01002**  
reflector 32°



**00-01003**  
reflector 52°



**00-01100**  
Satinice diffuser



**00-01101**  
Linear optic