



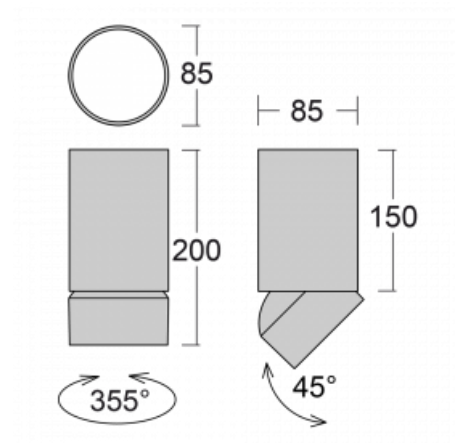
Luminaire

Shift-C

26-200S-10GDD/930, W



Technical drawing



Type of installation	Surface
Light distribution	Direct
Luminaire shape	Circular
Colour of the luminaires	White
Material	Aluminium
Lifetime	L80/B20 50 000 hours
Warranty	5 years
Description of luminaires	Luminaire surface
Dimensions	ø 85 mm × 200 mm
Light source	LED MODUL
DIR optical system	Reflector
Luminous flux*	1000 lm
Colour Temperature	3000 K warm white
Luminous efficacy	105 lm/W
MacAdam Light source	3
Colour rendering index	90
Beam angle	18°
Luminaire power input*	9.5 W
Connection of the luminaires	DALI
Electrical voltage	220-240V
Frequency	50/60Hz



*±10 %

Curve



Downloads

Installation instructions



Photos



Accessories**00-01000**
reflector 18°**00-01001**
reflector 25°**00-01002**
reflector 32°**00-01003**
reflector 52°**00-01100**
Satinice diffuser**00-01101**
Linear optic