



## Luminaire

# Shift

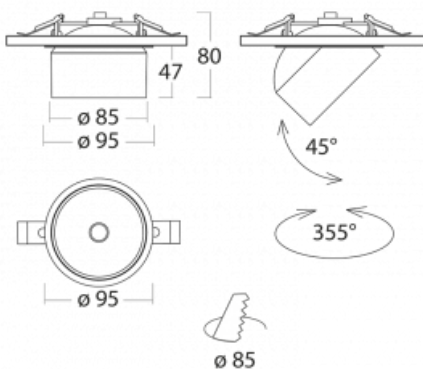
26-100S-10GGV/830, S +  
00-00151E



Designer Kryštof Nosál has created a luminaire with unrivalled variability. In addition, the Shift family of single luminaires allows for any method of installation. You can choose between a semi-recessed, surface and pendant version. The spot LED luminaire consists of 1, 2, 3 or 5 light sources, which can be moved along the axis of the luminaire body, tilted up to an angle of 45° and rotated up to 355°. The luminaire has 4 beam angles of 15°, 25°, 36°, 60°.

Design Kryštof Nosál

## Technical drawing



Type of installation	Recessed
Light distribution	Direct
Luminaire shape	Circular
Colour of the luminaires	Silver
Material	Aluminium
Lifetime	L80/B20 50 000 hours
Warranty	5 years
Description of luminaires	Luminaire semi-recessed
Dimensions	ø 95 mm × 50 mm
Light source	LED MODUL
Type of optical system	SPOT - narrow angle
Luminous flux*	1240 lm
Colour Temperature	3000 K warm white
Luminous efficacy	129 lm/W
MacAdam Light source	3
Colour rendering index	90
Beam angle	18°

## Curve



Luminaire power input\* 9.6 W

Connection of the luminaires ON/OFF

Electrical voltage 220-240V

Frequency 50/60Hz

⊕ CE IP 20

\*±10 %

## Downloads

Installation instructions



Photos



**Accessories**

**00-01000**  
reflector 18°



**00-01001**  
reflector 25°



**00-01002**  
reflector 32°



**00-01003**  
reflector 52°



**00-01100**  
Satinice diffuser