


Luminaire

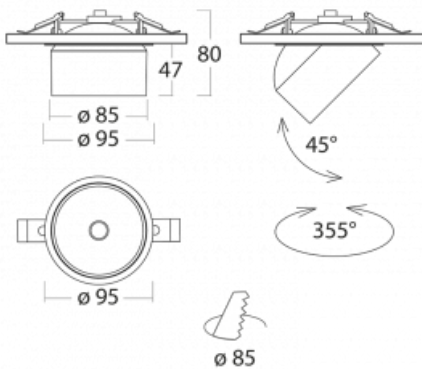
Shift

26-100F-10GGV/840, S +
00-00153EI



Designer Kryštof Nosál has created a luminaire with unrivalled variability. In addition, the Shift family of single luminaires allows for any method of installation. You can choose between a semi-recessed, surface and pendant version. The spot LED luminaire consists of 1, 2, 3 or 5 light sources, which can be moved along the axis of the luminaire body, tilted up to an angle of 45° and rotated up to 355°. The luminaire has 4 beam angles of 15°, 25°, 36°, 60°.

Design Kryštof Nosál

Technical drawing


Type of installation	Recessed
Light distribution	Direct
Luminaire shape	Circular
Colour of the luminaires	Silver
Material	Aluminium
Lifetime	L80/B20 50 000 hours
Warranty	5 years
Description of luminaires	Luminaire semi-recessed
Dimensions	ø 95 mm × 50 mm
Light source	LED MODUL
Type of optical system	FLOOD - wide angle
Luminous flux*	1850 lm
Colour Temperature	4000 K cool white
Luminous efficacy	76 lm/W
MacAdam Light source	3
Colour rendering index	90
Beam angle	32°

Curve



Luminaire power input* 24.5 W

Connection of the luminaire ON/OFF multiwatt

Electrical voltage 220-240V

Frequency 50/60Hz

⊕ CE IP 20

*±10 %

Downloads

Installation instructions



Photos



Accessories



00-01000
reflector 18°



00-01001
reflector 25°



00-01002
reflector 32°



00-01003
reflector 52°



00-01100
Satinice diffuser