



## Luminaire

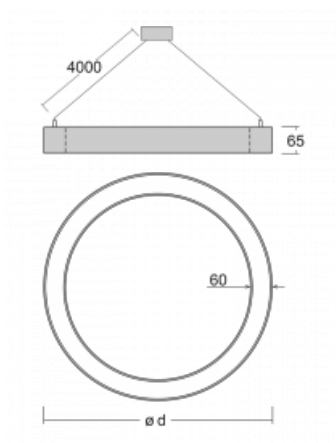
# Rotao60

227-561K-10GGE/840, W



The designer circular luminaire Rotao60 comes in a large number of diameters, thanks to which it fits well into various social and commercial spaces. You can also use it to decorate your living room or a meeting room. If you combine the luminaire with microprismatic optics, its efficacy can be surprising even in an office. Pendant versions of the Rotao60 luminaire with a diameter of up to 800 mm are suspended on suspension wires which converge into a single ceiling cup, while larger diameters are suspended on wires that run perpendicular to the ceiling.

## Technical drawing



Type of installation	Suspended
Light distribution	Direct-indirect
Luminaire shape	Circular
Colour of the luminaires	White
Material	Aluminium
Lifetime	L80/B20 50 000 hours
Warranty	5 years
Description of luminaires	Luminaire suspended
item description	White ceiling cup and cable

Dimensions	ø 603 mm × 65 mm
Weight	3.1 kg
Light source	LED MODUL

DIR optical system	Opal diffuser
INDIR optical system	Opal cover

Luminous flux*	4570 lm
----------------	---------

Colour Temperature	4000 K cool white
--------------------	-------------------

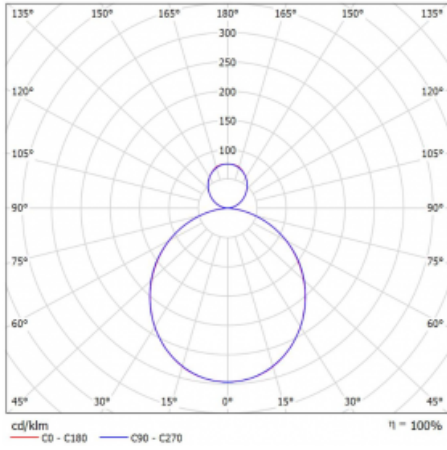
Luminous efficacy	115 lm/W
-------------------	----------

MacAdam Light source	3
----------------------	---

Colour rendering index	80
------------------------	----

UGR max. X=4H Y=8H, ρ=70,50,20	23.6
-----------------------------------	------

## Curve



Luminaire power input\* 39.7 W

Connection of the luminaires ON/OFF

Electrical voltage 220-240V

Frequency 50/60Hz

⊕ CE IP 20

\*±10 %

## Downloads

Installation instructions



Photos

