



## Luminaire

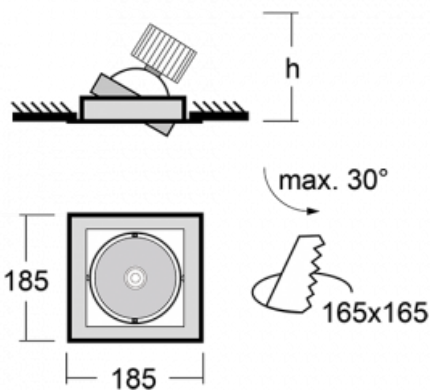
# Gatu

21-001W-10GHV/M/840, B +  
00-00152M



If we combine a simple design with advanced functionality, we get the luminaires of Gatu family. The recessed luminaire with an adjustable reflector can be aimed at the required object. In addition to high-brightness LEDs with colour rendering of  $Ra > 80$  or  $Ra > 90$ , the luminaire also contains a wide range of light sources. The RealWhite technology highlights the white, StrongColour highlights the selected colour, and RealColour with an extremely high colour rendering of  $Ra > 97$  emphasizes the object's own colour. The illuminated object thus looks even more appealing, which makes Gatu luminaires suitable for commercial and cultural spaces, car showrooms and shop windows.

## Technical drawing



Type of installation	Recessed
Light distribution	Direct
Luminaire shape	Angular
Colour of the luminaires	Black
Material	Sheet metal
Lifetime	L80/B10 50 000 hours
Warranty	5 years
Description of luminaires	Luminaire recessed
Dimensions	185 mm × 185 mm × 100 mm
Light source	LED MODUL
Type of optical system	Reflector
Luminous flux*	2190 lm
Colour Temperature	4000 K cool white
Luminous efficacy	122 lm/W
MacAdam Light source	3
Colour rendering index	80
Beam angle	62°

## Curve



Luminaire power input\* 18 W

Connection of the luminaires ON/OFF + 1h emergency

Electrical voltage 220-240V

Frequency 50/60Hz

☐ CE IP 20

\*±10 %

## Downloads

Installation instructions



Photos

