

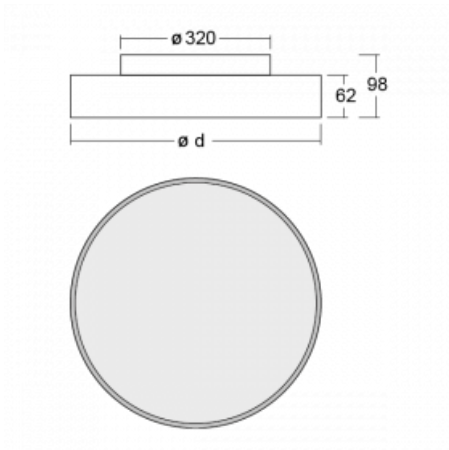

Luminaire

Rundo 62

190-241I-10GGQ/TC, S



Circular luminaires with an aluminium profile come in height 62 mm feature an excellent efficacy of up to 145 lm/W, which can give the space lightness and appeal. The luminaires are pendant or flush-mounted, with direct or direct-indirect distribution of light creating an interesting light halo. A circular luminaire with a PMMA opal diffuser or microprismatic optical system is suitable for both commercial spaces and households. A playful and interesting effect can be created by combining different diameters. Luminaires can be equipped with a motion sensor, daylight sensor or Bluetooth technology, which allows easy control of the luminaire from your smart device.

Technical drawing


Type of installation	Surface, Wall mounted
Light distribution	Direct-indirect
Luminaire shape	Circular
Colour of the luminaires	Silver
Material	Aluminium
Lifetime	L80/B20 50 000 hours
Warranty	5 years
Description of luminaires	Luminaire surface/wall mounted
Dimensions	ø 400 mm × 62 mm
Weight	3.4 kg
Light source	LED MODUL
Type of optical system	Microprisma
Luminous flux	2980 lm ± 10 %
Colour Temperature	2700 K - 6500 K Tunable White
Luminous efficacy	80 lm/W
MacAdam Light source	3
Colour rendering index	90
Luminaire power input	37.1 W ± 10 %
Connection of the luminaires	DALI DT8
Electrical voltage	220-240V
Frequency	50/60Hz


CE IP 40

Curve



