

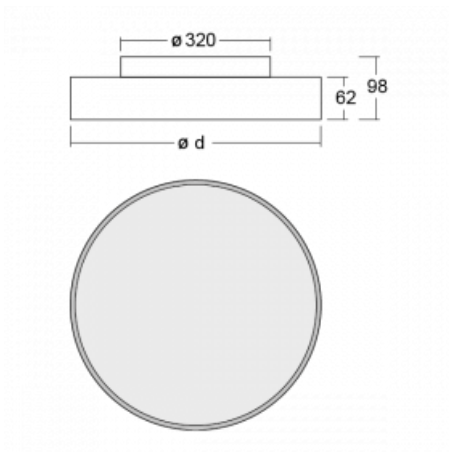

**Luminaire**

# Rundo 62

190-241I-10GGQ/TC, B



Circular luminaires with an aluminium profile come in height 62 mm feature an excellent efficacy of up to 145 lm/W, which can give the space lightness and appeal. The luminaires are pendant or flush-mounted, with direct or direct-indirect distribution of light creating an interesting light halo. A circular luminaire with a PMMA opal diffuser or microprismatic optical system is suitable for both commercial spaces and households. A playful and interesting effect can be created by combining different diameters. Luminaires can be equipped with a motion sensor, daylight sensor or Bluetooth technology, which allows easy control of the luminaire from your smart device.

**Technical drawing**


|                           |                                     |
|---------------------------|-------------------------------------|
| Type of installation      | Surface, Wall mounted               |
| Light distribution        | Direct-indirect                     |
| Luminaire shape           | Circular                            |
| Colour of the luminaires  | Black                               |
| Material                  | Aluminium                           |
| Lifetime                  | L80/B20 50 000 hours                |
| Warranty                  | 5 years                             |
| Description of luminaires | Luminaire surface/wall mounted      |
| Dimensions                | $\varnothing$ 400 mm $\times$ 62 mm |
| Weight                    | 3.4 kg                              |
| Light source              | LED MODUL                           |
| Type of optical system    | Microprisma                         |
| Luminous flux*            | 2980 lm                             |
| Colour Temperature        | 2700 K - 6500 K Tunable White       |
| Luminous efficacy         | 80 lm/W                             |
| MacAdam Light source      | 3                                   |
| Colour rendering index    | 90                                  |

## Curve



Luminaire power input\* 37.1 W

Connection of the luminaires DALI DT8

Electrical voltage 220-240V

Frequency 50/60Hz

⊕ CE IP 40

\*±10 %

