



## Luminaire

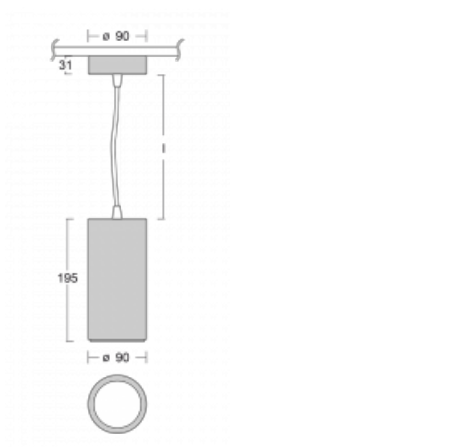
# Vali

176-500W-10GGD/940, W



When you combine design with functionality, you get the Vali90 family of lighting. You can point this cylindrical luminaire with 4 angles of 21°, 28°, 40°, 63° at the required object as needed. Vali90 has a luminous efficacy of up to 90 lm / W and has a light source with a colour rendering of  $R_a > 90$ , to provide the perfect illumination of an object. Vali90 luminaires in a black or white finish will serve you well in commercial, exhibition and demonstration spaces.

## Technical drawing



Type of installation	Suspended
Light distribution	Direct
Luminaire shape	Circular
Colour of the luminaires	White
Material	Aluminium
Lifetime	L80/B10 50 000 hours
Warranty	5 years
Description of luminaires	Luminaire suspended
Dimensions	ø 90 mm × 195 mm
Weight	1 kg
Light source	LED MODUL
Type of optical system	Reflector
Luminous flux*	1990 lm
Colour Temperature	4000 K cool white
Luminous efficacy	98 lm/W
MacAdam Light source	3
Colour rendering index	90
Beam angle	63°
UGR max. X=4H Y=8H, $\rho=70,50,20$	19.5

## Curve



Luminaire power input\* 20.4 W

Connection of the luminaires DALI

Electrical voltage 220-240V

Frequency 50/60Hz

⊕ CE IP 20

\* $\pm 10\%$

## Downloads

Installation instructions



Photos

