

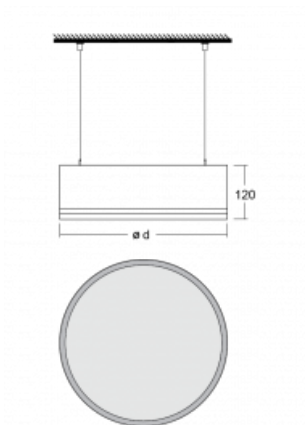

**Luminaire**

# Rundo 120

15-5B0K-10GHE/830, S



Circular luminaires with an aluminium profile with a height of 120 mm and an excellent luminous efficacy of up to 145 lm/W. A Rundo120 has wide range of functions and dimensions with a diameter of up to 1150 mm. These surface or pendant luminaires can be used as basic lighting features in commercial and residential spaces. Thanks to sophisticated technology, the luminaires do not cause glare and the lighting can be adapted to smaller or large commercial spaces. You can choose between a version with an opal diffuser made of PMMA or a microprismatic optical system.

**Technical drawing**


Type of installation	Suspended
Light distribution	Direct
Luminaire shape	Circular
Colour of the luminaires	Silver
Material	Aluminium
Lifetime	L80/B20 50 000 hours
Warranty	5 years
Description of luminaires	Luminaire suspended
Dimensions	ø 1240 mm × 120 mm
Weight	34.8 kg
Light source	LED MODUL
Type of optical system	Opal diffuser
Luminous flux	16400 lm ± 10 %
Colour Temperature	3000 K warm white
Luminous efficacy	120 lm/W
MacAdam Light source	3
Colour rendering index	80
Luminaire power input	137.1 W ± 10 %
Connection of the luminaires	Electronic ballast non-dimmable
Electrical voltage	220-240V
Frequency	50/60Hz



# Curve



