

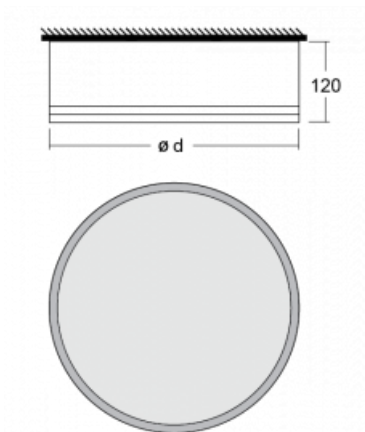

Luminaire

Rundo 120

15-2B0I-10GHM/840, B



Circular luminaires with an aluminium profile with a height of 120 mm and an excellent luminous efficacy of up to 145 lm/W. A Rundo120 has wide range of functions and dimensions with a diameter of up to 1150 mm. These surface or pendant luminaires can be used as basic lighting features in commercial and residential spaces. Thanks to sophisticated technology, the luminaires do not cause glare and the lighting can be adapted to smaller or large commercial spaces. You can choose between a version with an opal diffuser made of PMMA or a microprismatic optical system.

Technical drawing


Type of installation	Surface
Light distribution	Direct
Luminaire shape	Circular
Colour of the luminaires	Black
Material	Aluminium
Lifetime	L80/B20 50 000 hours
Warranty	5 years
Description of luminaires	Luminaire surface
Dimensions	ø 1240 mm × 120 mm
Light source	LED MODUL
Type of optical system	Microprisma
Luminous flux*	15260 lm
Colour Temperature	4000 K cool white
Luminous efficacy	111 lm/W
MacAdam Light source	2
Colour rendering index	80
Luminaire power input*	137.1 W
Connection of the luminaires	ON/OFF + 1h emergency
Electrical voltage	220-240V
Frequency	50/60Hz


IP 20

*±10 %

Curve



