



## Luminaire

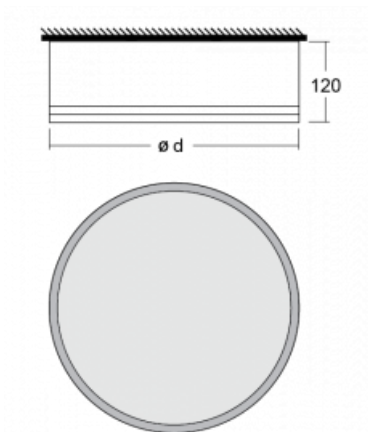
# Rundo 120

15-290K-10GHD/830, S



Circular luminaires with an aluminium profile with a height of 120 mm and an excellent luminous efficacy of up to 145 lm/W. A Rundo120 has wide range of functions and dimensions with a diameter of up to 1150 mm. These surface or pendant luminaires can be used as basic lighting features in commercial and residential spaces. Thanks to sophisticated technology, the luminaires do not cause glare and the lighting can be adapted to smaller or large commercial spaces. You can choose between a version with an opal diffuser made of PMMA or a microprismatic optical system.

## Technical drawing



|                              |                      |
|------------------------------|----------------------|
| Type of installation         | Surface              |
| Light distribution           | Direct               |
| Luminaire shape              | Circular             |
| Colour of the luminaires     | Silver               |
| Material                     | Aluminium            |
| Lifetime                     | L80/B20 50 000 hours |
| Warranty                     | 5 years              |
| Description of luminaires    | Luminaire surface    |
| Dimensions                   | ø 950 mm × 120 mm    |
| Light source                 | LED MODUL            |
| DIR optical system           | Opal diffuser        |
| Luminous flux*               | 13120 lm             |
| Colour Temperature           | 3000 K warm white    |
| Luminous efficacy            | 117 lm/W             |
| MacAdam Light source         | 2                    |
| Colour rendering index       | 80                   |
| Luminaire power input*       | 112 W                |
| Connection of the luminaires | DALI                 |
| Electrical voltage           | 220-240V             |
| Frequency                    | 50/60Hz              |

 **CE** IP 20

\*±10 %

# Curve



## Downloads

Installation instructions



Photos

