



Luminaire

Lina45-S

=145S-A00F-10GGE/930, B



EPD®

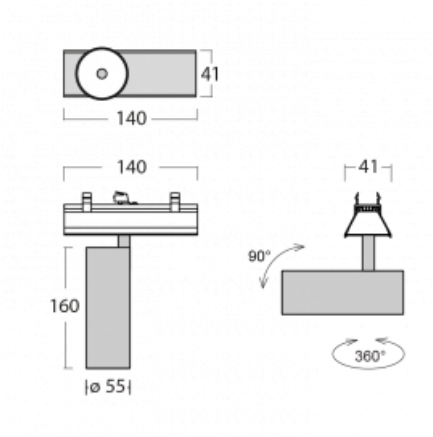
Imagine a linear luminaire that can satisfy all your needs: it meets UGR, has high efficiency and you can build it to your specifications. And it looks great too. The Lina45-S offers opal, microprism and optical grille variants, so it can easily meet both UGR under 19 at 4300 lm luminous flux. It is a great solution for visually demanding spaces, as it even meets UGR under 16 in some variants. In addition, you can complement the modular luminaire with a Vali55 relay module, a Rundo circular luminaire or 2 - 3 CUBE reflectors. The indirect lighting component is provided by a clear plexiglass module or a batwing diffuser, which creates a more even illumination of the ceiling. A welcome feature is also the possibility of a curtain at the joint of the profiles, which are also fitted with caps to prevent even minimal draughts. The individual segments are easily connected using connectors and plugged into 230 V.

Light distribution	Direct
Luminaire shape	Spot
Colour of the luminaires	Black
Lifetime	L80/B20 50 000 hours
Warranty	5 years
Description of luminaires	Luminaire
Dimensions	140 mm × 47 mm × 69 mm
Light source	LED MODUL
Type of optical system	FLOOD - wide angle
Luminous flux*	1630 lm
Colour Temperature	3000 K warm white
Luminous efficacy	81 lm/W
MacAdam Light source	3
Colour rendering index	90
Beam angle	45°
UGR max. X=4H Y=8H, ρ=70,50,20	23
Luminaire power input*	20.1 W
Connection of the luminaires	ON/OFF
Electrical voltage	220-240V
Frequency	50/60Hz

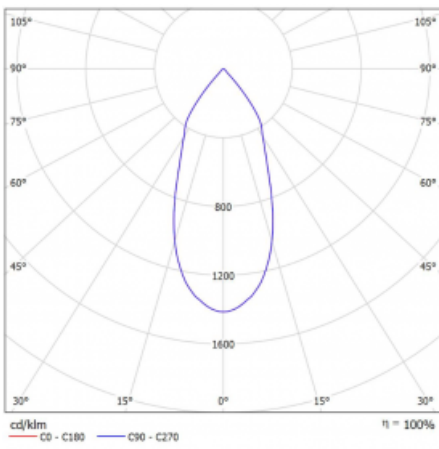
  IP 20

*±10 %

Technical drawing



Curve



Downloads

Installation instructions



Photos



Accessories


00-00355, K
cable 5x0,75 2000mm



00-00356, K
cable 5x0,75 4000mm



00-00357, K
cable 5x0,75 6000mm



00-00370, B
ceiling cup 80x80x32mm



145-01200, F
Accessory for gear-tray
release for Lina145



145-50101, B
2 x end cap - metal,
screw



145-50102, B
2 x end cap - metal,
screwless



145-50200, F
direct connector with
caps of clearance



145-50300, N
wire suspension
2000mm - 1 pc + metal
handle



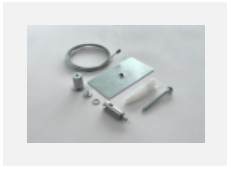
145-50301, N
wire suspension
4000mm - 1 pc + metal
handle



145-50302, N
wire suspension
6000mm - 1 pc + metal
handle



145-50303, N
wire suspension for joint
2000mm - 1 pc + metal
handle



145-50304, N
wire suspension for joint
4000mm - 1 pc + metal
handle



145-50305, N
wire suspension for joint
6000mm - 1 pc + metal
handle