

Luminaire

Lina45-S

145S-5Y1I-30GHE/840, W

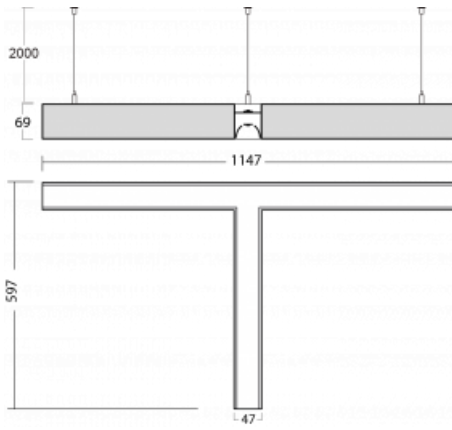


EPD®

Imagine a linear luminaire that can satisfy all your needs: it meets UGR, has high efficiency and you can build it to your specifications. And it looks great too. The Lina45-S offers opal, microprism and optical grille variants, so it can easily meet both UGR under 19 at 4300 lm luminous flux. It is a great solution for visually demanding spaces, as it even meets UGR under 16 in some variants. In addition, you can complement the modular luminaire with a Vali55 relay module, a Rundo circular luminaire or 2 - 3 CUBE reflectors. The indirect lighting component is provided by a clear plexiglass module or a batwing diffuser, which creates a more even illumination of the ceiling. A welcome feature is also the possibility of a curtain at the joint of the profiles, which are also fitted with caps to prevent even minimal draughts. The individual segments are easily connected using connectors and plugged into 230 V.

Type of installation	Suspended
Light distribution	Direct-indirect
Luminaire shape	Corner T
Colour of the luminaires	White
Material	Aluminium
Lifetime	L80/B20 50 000 hours
Warranty	5 years
Description of luminaires	Luminaire suspended
item description	corner luminaire "T"
Dimensions (l × w × h mm)	1147 mm × 597 mm × 69 mm
Light source	LED MODUL
DIR optical system	Microprisma
INDIR optical system	Batwing
Luminous flux*	9920 lm
Colour Temperature	4000 K cool white
Luminous efficacy	147 lm/W
MacAdam Light source	3
Colour rendering index	80
UGR max. X=4H Y=8H, ρ=70,50,20	20.3

Technical drawing



Luminaire power input* 67.4 W

Connection of the luminaires ON/OFF

Electrical voltage 220-240V

Frequency 50/60Hz

⊕ CE IP 20

*±10 %

Downloads

Installation instructions



Photos



Accessories


00-00370, W
ceiling cup 80x80x32mm



145-01200, F
Accessory for gear-tray release for Lina145



145-20700, W
2 pcs of wall fastening Lina45



145-50101, W
2 x end cap - metal, screw



145-50102, W
2 x end cap - metal, screwless



145-50200, F
direct connector with caps of clearance



145-50300, N
wire suspension 2000mm - 1 pc + metal handle



145-50301, N
wire suspension 4000mm - 1 pc + metal handle



145-50302, N
wire suspension 6000mm - 1 pc + metal handle



145-50303, N
wire suspension for joint 2000mm - 1 pc + metal handle



145-50304, N
wire suspension for joint 4000mm - 1 pc + metal handle



145-50305, N
wire suspension for joint 6000mm - 1 pc + metal handle