

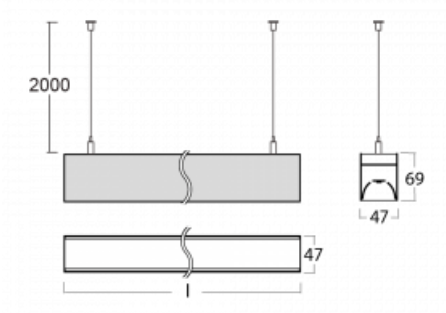

Luminaire

Lina45

145-5C0K-15GED/840, S


EPD[®]

Imagine a linear luminaire that can satisfy all your needs: it meets UGR, has high efficiency and you can build it to your specifications. And it looks great too. The Lina45 offers opal, microprism and optical louvre variants, so it can easily meet both UGR under 19 at 4300 lm luminous flux. It is a great solution for visually demanding spaces, as it even meets UGR under 16 in some variants. The indirect lighting component is provided by a clear plexi option or a wide-lighting diffuser (batwing distribution), which creates more even ceiling illumination.

Technical drawing


Type of installation	Suspended
Light distribution	Direct
Luminaire shape	Linear
Colour of the luminaires	Silver
Material	Aluminium
Lifetime	L80/B20 50 000 hours
Warranty	5 years
Description of luminaires	Luminaire suspended
Dimensions	847 mm × 47 mm × 69 mm
Light source	LED MODUL
Type of optical system	Opal diffuser
Luminous flux*	1060 lm
Colour Temperature	4000 K cool white
Luminous efficacy	143 lm/W
MacAdam Light source	3
Colour rendering index	80
UGR max. X=4H Y=8H, ρ=70,50,20	24.1

Curve



Luminaire power input* 7.4 W

Connection of the luminaires DALI

Electrical voltage 220-240V

Frequency 50/60Hz

⊕ CE IP 20

*±10 %

Downloads

Installation instructions



Photos



Accessories


00-00354, K
cable 5x0,75 1000mm



00-00355, K
cable 5x0,75 2000mm



00-00356, K
cable 5x0,75 4000mm



00-00357, K
cable 5x0,75 6000mm



00-00370, S
ceiling cup 80x80x32mm



145-01200, F
Accessory for gear-tray
release for Lina145



145-20700, S
2 pcs of wall fastening
Lina45



145-50101, S
2 x end cap - metal,
screw



145-50102, S
2 x end cap - metal,
screwless



145-50300, N
wire suspension
2000mm - 1 pc + metal
handle



145-50301, N
wire suspension
4000mm - 1 pc + metal
handle



145-50302, N
wire suspension
6000mm - 1 pc + metal
handle