



## Luminaire

# Lina45

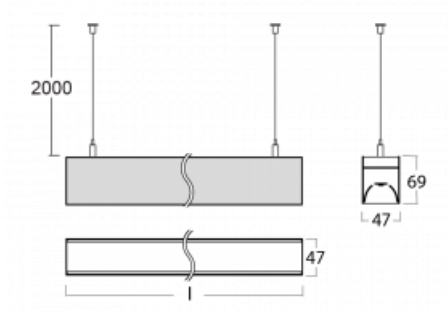
145-5C0I-25GEM/840, W



EPD®

Imagine a linear luminaire that can satisfy all your needs: it meets UGR, has high efficiency and you can build it to your specifications. And it looks great too. The Lina45 offers opal, microprism and optical louvre variants, so it can easily meet both UGR under 19 at 4300 lm luminous flux. It is a great solution for visually demanding spaces, as it even meets UGR under 16 in some variants. The indirect lighting component is provided by a clear plexi option or a wide-lighting diffuser (batwing distribution), which creates more even ceiling illumination.

## Technical drawing



|                                   |                         |
|-----------------------------------|-------------------------|
| Type of installation              | Suspended               |
| Light distribution                | Direct                  |
| Luminaire shape                   | Linear                  |
| Colour of the luminaires          | White                   |
| Material                          | Aluminium               |
| Lifetime                          | L80/B20 50 000 hours    |
| Warranty                          | 2 years                 |
| Description of luminaires         | Luminaire suspended     |
| Dimensions<br>(l × w × h mm)      | 1411 mm × 47 mm × 69 mm |
| Light source                      | LED MODUL               |
| DIR optical system                | Microprisma             |
| Luminous flux*                    | 1610 lm                 |
| Colour Temperature                | 4000 K cool white       |
| Luminous efficacy                 | 148 lm/W                |
| MacAdam Light source              | 3                       |
| Colour rendering index            | 80                      |
| UGR max. X=4H<br>Y=8H, ρ=70,50,20 | 20,4                    |

## Curve



Luminaire power input\* 10.9 W

Connection of the luminaires ON/OFF + 1h emergency

Electrical voltage 220-240V

Frequency 50/60Hz

⊕ CE IP 20

\* $\pm 10\%$

## Downloads

Installation instructions



Photos

