



## Luminaire

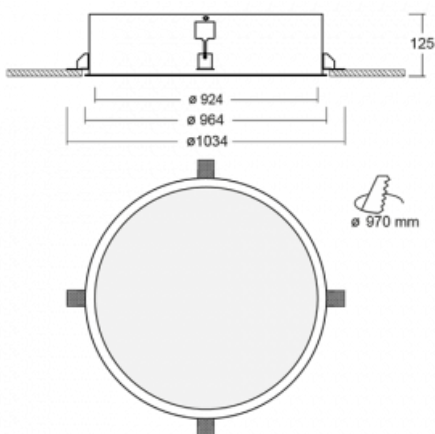
# Puri

140-072K-12GEM3/840



We were thinking about how to achieve design purity, so we created a family of Puri recessed circular luminaires. Choose between the framed and frameless versions. You can mount it directly into the ceiling, without any cables or suspension fixtures. The framed version has a great advantage as it is very easy to disassemble. Using various diameters of the ceiling light, you can create combinations that will best suit the needs of your commercial spaces, offices, hotels or corridors. Puri blends in with the interior and can be easily combined with other families of circular luminaires.

## Technical drawing



|  |                                      |
|--|--------------------------------------|
| Type of installation                   | Recessed                             |
| Light distribution                     | Direct                               |
| Luminaire shape                        | Circular                             |
| Material                               | Aluminium                            |
| Lifetime                               | L80/B20 50 000 hours                 |
| Warranty                               | 5 years                              |
| Description of luminaires              | Luminaire recessed                   |
| Dimensions                             | $\varnothing 924$ mm $\times$ 125 mm |
| Weight                                 | 15.2 kg                              |
| Light source                           | LED MODUL                            |
| Type of optical system                 | Opal diffuser                        |
| Luminous flux*                         | 11420 lm                             |
| Colour Temperature                     | 4000 K cool white                    |
| Luminous efficacy                      | 120 lm/W                             |
| MacAdam Light source                   | 3                                    |
| Colour rendering index                 | 80                                   |
| UGR max. X=4H<br>Y=8H, $\rho=70,50,20$ | 20                                   |

|                              |                       |
|------------------------------|-----------------------|
| Luminaire power input*       | 95 W                  |
| Connection of the luminaires | ON/OFF + 3h emergency |
| Electrical voltage           | 220-240V              |
| Frequency                    | 50/60Hz               |

  IP 20

\*±10 %

## Downloads

Installation instructions



Photos

