



Luminaire

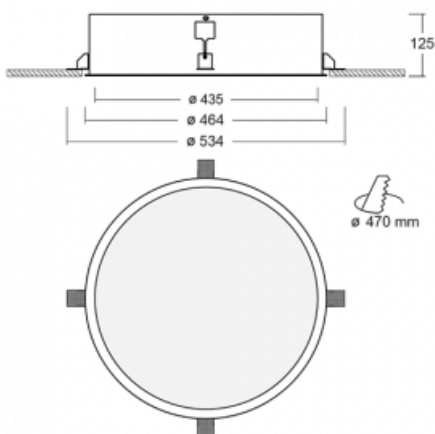
Puri

140-052K-10GIM/830



We were thinking about how to achieve design purity, so we created a family of Puri recessed circular luminaires. Choose between the framed and frameless versions. You can mount it directly into the ceiling, without any cables or suspension fixtures. The framed version has a great advantage as it is very easy to disassemble. Using various diameters of the ceiling light, you can create combinations that will best suit the needs of your commercial spaces, offices, hotels or corridors. Puri blends in with the interior and can be easily combined with other families of circular luminaires.

Technical drawing



Type of installation	Recessed
Light distribution	Direct
Luminaire shape	Circular
Material	Aluminium
Lifetime	L80/B20 50 000 hours
Warranty	2 years
Description of luminaires	Luminaire recessed
Dimensions	$\varnothing 435$ mm \times 125 mm
Weight	4.5 kg
Light source	LED MODUL
Type of optical system	Opal diffuser
Luminous flux*	2930 lm
Colour Temperature	3000 K warm white
Luminous efficacy	105 lm/W
MacAdam Light source	3
Colour rendering index	80
UGR max. X=4H Y=8H, $\rho=70,50,20$	20.4

Luminaire power input*	28 W
Connection of the luminaires	ON/OFF + 1h emergency
Electrical voltage	220-240V
Frequency	50/60Hz

  IP 20

*±10 %

Downloads

Installation instructions



Photos

