

Luminaire

Sant-S

132S-520K-20GGD/840, W

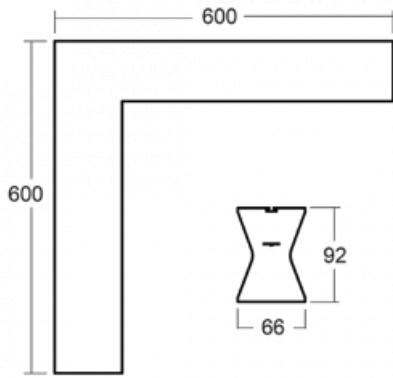


The Dutch designer Rob van Beek gave this linear luminaire with an opal diffuser a world-class look. In the Czech Republic, Sant-S has specially been made for LED sources and Human Centric Lighting technology. This means that the light changes its intensity and colour temperature according to circadian rhythms. People thus feel natural in a closed space because the lighting simulates daylight. If you are looking for system linear luminaires for an office, school or a hospital, you have just found them. The attractive design of the luminaire has been complemented with high efficiency of as much as 150 lm/W and low power consumption due to dimmability. The direct-indirect light shines pleasantly, increases the brightness of the background and thus improves visual comfort.

Design Rob van Beek

Type of installation	Surface, Suspended, 3 circuit track
Light distribution	Direct-indirect
Luminaire shape	Corner
Colour of the luminaires	White
Material	Aluminium
Lifetime	L80/B20 50 000 hours
Warranty	5 years
Description of luminaires	Luminaire surface/suspended/3 circuit track
Dimensions	603 mm × 603 mm × 92 mm
Weight	3.3 kg
Light source	LED MODUL
Type of optical system	Opal diffuser
Luminous flux*	3550 lm
Colour Temperature	4000 K cool white
Luminous efficacy	110 lm/W
MacAdam Light source	3
Colour rendering index	80
UGR max. X=4H Y=8H, $\rho=70,50,20$	23.6

Technical drawing



Luminaire power input* 32.4 W

Connection of the luminaires DALI

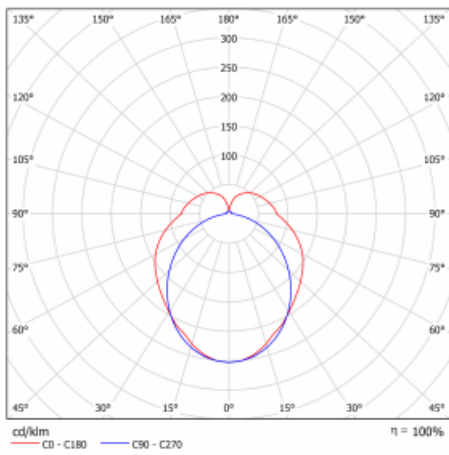
Electrical voltage 220-240V

Frequency 50/60Hz

⊕ CE IP 20

*±10 %

Curve



Downloads

Installation instructions



Photos



Accessories


00-00300, N
wire suspension
2000mm



00-00301, N
wire suspension
4000mm



00-00302, N
wire suspension
6000mm



00-00350, K
cable 3x0,75 1000mm



00-00352, K
cable 3x0,75 2000mm



00-00354, K
cable 5x0,75 1000mm



00-00355, K
cable 5x0,75 2000mm



00-00370, W
ceiling cup 80x80x32mm



00-00600, F
ceiling fastening for
luminaires 132-5xxK,
04-2000x, 05-2000x,
09-200x - 1 piece



00-51301, W
set for suspension into
3-phase track, dimmable
luminaires



132-50031, W
pendant profile 1000
mm



132-50100, W
end cap



132-50201, F
straight connector (for
dimmable lum.)



132-51100, K
diffuser 2295 mm