


**Luminaire**

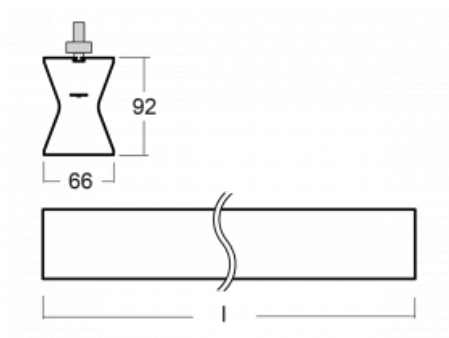
# Sant-T

132-600K-25GEE/840, S



The Dutch designer Rob van Beek imbued this LED linear luminaire with an opal diffuser with a universal visage. In the Czech Republic, Sant-T was specially made for LED sources and Human Centric Lighting technology. Sant-T is especially recommended as a complementary lighting for commercial spaces.

Design Rob van Beek

**Technical drawing**


Type of installation	3 circuit track
Light distribution	Direct-indirect
Luminaire shape	Linear
Colour of the luminaires	Silver
Material	Aluminium
Lifetime	L80/B20 50 000 hours
Warranty	5 years
Description of luminaires	Luminaire 3 circuit track
Dimensions	1410 mm × 66 mm × 92 mm
Weight	3.8 kg
Light source	LED MODUL
Type of optical system	Opal diffuser
Luminous flux*	2760 lm
Colour Temperature	4000 K cool white
Luminous efficacy	115 lm/W
MacAdam Light source	3
Colour rendering index	80
UGR max. X=4H Y=8H, $\rho=70,50,20$	22

## Curve



Luminaire power input\* 24 W

Connection of the luminaires ON/OFF

Electrical voltage 220-240V

Frequency 50/60Hz

   IP 20

\* $\pm 10\%$

## Downloads

Installation instructions



Photos



**Accessories**


**00-00300, N**  
wire suspension  
2000mm



**00-00301, N**  
wire suspension  
4000mm



**00-00302, N**  
wire suspension  
6000mm



**00-00363, K**  
cable 5x1,5 2000mm



**00-00364, K**  
cable 5x1,5 4000mm



**00-00365, K**  
cable 5x1,5 6000mm



**00-00370, B**  
ceiling cup 80x80x32mm



**00-00370, S**  
ceiling cup 80x80x32mm



**00-00370, W**  
ceiling cup 80x80x32mm



**SKB10-1, grey**  
Track clamp, grey



**SKB10-2, black**  
Track clamp, black



**SKB10-3, white**  
Track clamp, white



**SKB12-1, grey**  
Track clamp, grey



**SKB12-2, black**  
Track clamp, black



**SKB12-3, white**  
Track clamp, white



**XTAK11-1, grey**  
Hook, grey



**XTAK142-1, grey**  
Hook Base, grey



**XTAK142-2, black**  
Hook Base, black



**XTAK142-3, white**  
Hook Base 2mm wire,  
white



**XTS11-1, grey**  
End feed, grey



**XTS11-2, black**  
End feed, black



**XTS11-3, white**  
End feed, white



**XTS12-1, grey**  
End feed, grey



**XTS12-2, black**  
End feed, black



**XTS12-3, white**  
End feed, white



**XTS14-1, grey**  
Middle feed, grey



**XTS14-2, black**  
Middle feed, black



**XTS14-3, white**  
Middle feed, white



**XTS21-1, grey**  
Straight connector, grey



**XTS21-2, black**  
Straight connector,  
black



**XTS21-3, white**  
Straight connector,  
white



**XTS24-1, grey**  
Adjustable corner  
connector, grey



**XTS24-2, black**  
Adjustable corner  
connector, black



**XTS24-3, white**  
Adjustable corner  
connector, white



**XTS34-1, grey**  
L-feed, grey



**XTS34-2, black**  
L-feed, black



**XTS34-3, white**  
L-feed, white



**XTS35-1, grey**  
L-feed, grey



**XTS35-2, black**  
L-feed, black



**XTS35-3, white**  
L-feed, white



**XTS36-1, grey**  
T-feed, grey



**XTS36-2, black**  
T-feed, black



**XTS36-3, white**  
T-feed, white



**XTS37-1, grey**  
T-feed, grey



**XTS37-2, black**  
T-feed, black



**XTS37-3, white**  
T-feed, white



**XTS38-1, grey**  
X-feed, grey



**XTS38-2, black**  
X-feed, black



**XTS38-3, white**  
X-feed, bílá



**XTS39-1, grey**  
T-feed, grey



**XTS39-2, black**  
T-feed, black



**XTS39-3, white**  
T-feed, white



**XTS40-1, grey**  
T-feed, grey



**XTS40-2, black**  
T-feed, black



**XTS40-3, white**  
T-feed, white



**XTS41-1, grey**  
End Cap, grey



**XTS41-2, black**  
End Cap, black



**XTS41-3, white**  
End Cap, white



**XTS4100-1, grey**  
linear track 1m, grey



**XTS4100-2, black**  
linear track 1m, black



**XTS4100-3, white**  
linear track 1m, white



**XTS4200-1, grey**  
linear track 2m, grey



**XTS4200-2, black**  
linear track 2m, black



**XTS4200-3, white**  
linear track 2m, white



**XTS4300-1, grey**  
linear track 3m, grey



**XTS4300-2, black**  
linear track 3m, black



**XTS4300-3, white**  
linear track 3m, white



**XTS4400-1, grey**  
linear track 4m, grey



**XTS4400-2, black**  
linear track 4m, black



**XTS4400-3, white**  
linear track 4m, white



**XTSF4100-1, grey**  
recessed linear track 1m,  
grey



**XTSF4100-2, black**  
recessed linear track 1m,  
black



**XTSF4100-3, white**  
recessed linear track 1m,  
white



**XTSF4200-1, grey**  
recessed linear track 2m,  
grey



**XTSF4200-2, black**  
recessed linear track 2m,  
black



**XTSF4200-3, white**  
recessed linear track 2m,  
white



**XTSF4300-1, grey**  
recessed linear track 3m,  
grey



**XTSF4300-2, black**  
recessed linear track 3m,  
black



**XTSF4300-3, white**  
recessed linear track 3m,  
white



**XTSF4400-1, grey**  
recessed linear track 4m,  
grey



**XTSF4400-2, black**  
recessed linear track 4m,  
black



**XTSF4400-3, white**  
recessed linear track 4m,  
white



**XTSV12-1, grey**  
Bending tool for track  
power wires