



Luminaire

Sant-T

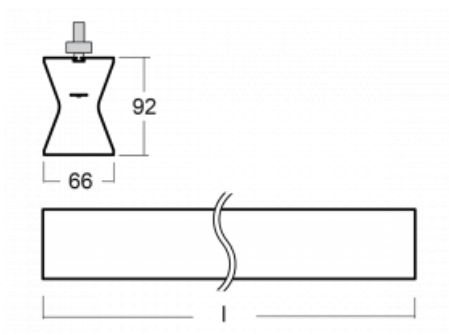
132-600K-25GEE/840, B



The Dutch designer Rob van Beek imbued this LED linear luminaire with an opal diffuser with a universal visage. In the Czech Republic, Sant-T was specially made for LED sources and Human Centric Lighting technology. Sant-T is especially recommended as a complementary lighting for commercial spaces.

Design Rob van Beek

Technical drawing



Type of installation	3 circuit track
Light distribution	Direct-indirect
Luminaire shape	Linear
Colour of the luminaires	Black
Material	Aluminium
Lifetime	L80/B20 50 000 hours
Warranty	5 years
Description of luminaires	Luminaire 3 circuit track
Dimensions	1410 mm × 66 mm × 92 mm
Weight	3.8 kg
Light source	LED MODUL
Type of optical system	Opal diffuser
Luminous flux*	2760 lm
Colour Temperature	4000 K cool white
Luminous efficacy	115 lm/W
MacAdam Light source	3
Colour rendering index	80
UGR max. X=4H Y=8H, $\rho=70,50,20$	22

Curve



Luminaire power input* 24 W

Connection of the luminaires ON/OFF

Electrical voltage 220-240V

Frequency 50/60Hz

⊕ CE  IP 20

*±10 %

Downloads

Installation instructions



Photos



Accessories


00-00300, N
wire suspension
2000mm



00-00301, N
wire suspension
4000mm



00-00302, N
wire suspension
6000mm



00-00363, K
cable 5x1,5 2000mm



00-00364, K
cable 5x1,5 4000mm



00-00365, K
cable 5x1,5 6000mm



00-00370, B
ceiling cup 80x80x32mm



00-00370, S
ceiling cup 80x80x32mm



00-00370, W
ceiling cup 80x80x32mm



SKB10-1, grey
Track clamp, grey



SKB10-2, black
Track clamp, black



SKB10-3, white
Track clamp, white



SKB12-1, grey
Track clamp, grey



SKB12-2, black
Track clamp, black



SKB12-3, white
Track clamp, white



XTAK11-1, grey
Hook, grey



XTAK142-1, grey
Hook Base, grey



XTAK142-2, black
Hook Base, black



XTAK142-3, white
Hook Base 2mm wire,
white



XTS11-1, grey
End feed, grey



XTS11-2, black
End feed, black



XTS11-3, white
End feed, white



XTS12-1, grey
End feed, grey



XTS12-2, black
End feed, black



XTS12-3, white
End feed, white



XTS14-1, grey
Middle feed, grey



XTS14-2, black
Middle feed, black



XTS14-3, white
Middle feed, white



XTS21-1, grey
Straight connector, grey



XTS21-2, black
Straight connector,
black



XTS21-3, white
Straight connector,
white



XTS24-1, grey
Adjustable corner
connector, grey



XTS24-2, black
Adjustable corner
connector, black



XTS24-3, white
Adjustable corner
connector, white



XTS34-1, grey
L-feed, grey



XTS34-2, black
L-feed, black



XTS34-3, white
L-feed, white



XTS35-1, grey
L-feed, grey



XTS35-2, black
L-feed, black



XTS35-3, white
L-feed, white



XTS36-1, grey
T-feed, grey



XTS36-2, black
T-feed, black



XTS36-3, white
T-feed, white



XTS37-1, grey
T-feed, grey



XTS37-2, black
T-feed, black



XTS37-3, white
T-feed, white



XTS38-1, grey
X-feed, grey



XTS38-2, black
X-feed, black



XTS38-3, white
X-feed, bílá



XTS39-1, grey
T-feed, grey



XTS39-2, black
T-feed, black



XTS39-3, white
T-feed, white



XTS40-1, grey
T-feed, grey



XTS40-2, black
T-feed, black



XTS40-3, white
T-feed, white



XTS41-1, grey
End Cap, grey



XTS41-2, black
End Cap, black



XTS41-3, white
End Cap, white



XTS4100-1, grey
linear track 1m, grey



XTS4100-2, black
linear track 1m, black



XTS4100-3, white
linear track 1m, white



XTS4200-1, grey
linear track 2m, grey



XTS4200-2, black
linear track 2m, black



XTS4200-3, white
linear track 2m, white



XTS4300-1, grey
linear track 3m, grey



XTS4300-2, black
linear track 3m, black



XTS4300-3, white
linear track 3m, white



XTS4400-1, grey
linear track 4m, grey



XTS4400-2, black
linear track 4m, black



XTS4400-3, white
linear track 4m, white



XTSF4100-1, grey
recessed linear track 1m, grey



XTSF4100-2, black
recessed linear track 1m, black



XTSF4100-3, white
recessed linear track 1m, white



XTSF4200-1, grey
recessed linear track 2m, grey



XTSF4200-2, black
recessed linear track 2m, black



XTSF4200-3, white
recessed linear track 2m, white



XTSF4300-1, grey
recessed linear track 3m, grey



XTSF4300-2, black
recessed linear track 3m, black



XTSF4300-3, white
recessed linear track 3m, white



XTSF4400-1, grey
recessed linear track 4m, grey



XTSF4400-2, black
recessed linear track 4m, black



XTSF4400-3, white
recessed linear track 4m, white



XTSV12-1, grey
Bending tool for track power wires