


Luminaire

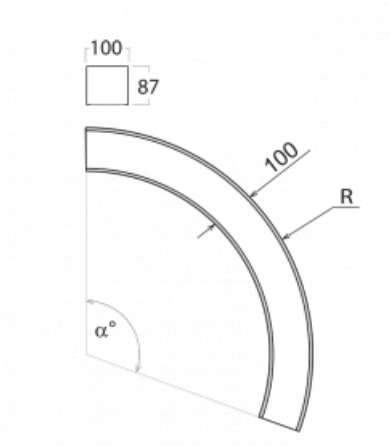
Flumo100-S

128S-5FOK-045GE/830, W


Large spaces and long corridors – such places require something special: a linear aluminium profile that winds along the corridor in a perfect curve and navigates you through the space. The system luminaires of the Flumo100-S family will fully adapt to your possibilities and imagination. They can run straight or meander like the Colorado River. All the different lengths and angles mean that there are no limits. To assemble the Flumo100-S lighting system you can choose between the pendant and surface versions. They are available with an opal diffuser or microprism in a wide range of colours according to the Halla RAL chart. The luminaires can be controlled via Bluetooth technology from your smart device.

| | |
|---------------------------|----------------------|
| Type of installation | Suspended |
| Light distribution | Direct |
| Luminaire shape | Rounded |
| Colour of the luminaires | White |
| Material | Aluminium |
| Lifetime | L80/B20 50 000 hours |
| Warranty | 5 years |
| Description of luminaires | Luminaire suspended |
| item description | R1500 - 45° |
| Dimensions (w × h mm) | 100 mm × 87 mm |
| Diameter | ∅ 1500 |
| Angle | 45 ° |
| Light source | LED MODUL |
| DIR optical system | Opal diffuser |
| Luminous flux* | 2260 lm |
| Colour Temperature | 3000 K warm white |
| Luminous efficacy | 100 lm/W |
| MacAdam Light source | 3 |
| Colour rendering index | 80 |

Technical drawing



Luminaire power input* 22.7 W

Connection of the luminaires ON/OFF

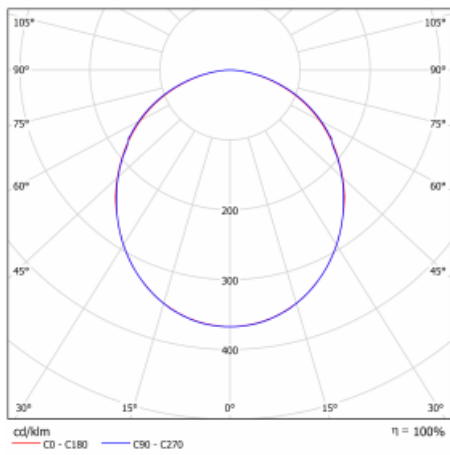
Electrical voltage 220-240V

Frequency 50/60Hz

⊕ CE IP 20

* $\pm 10\%$

Curve



Downloads

Installation instructions



Photos

