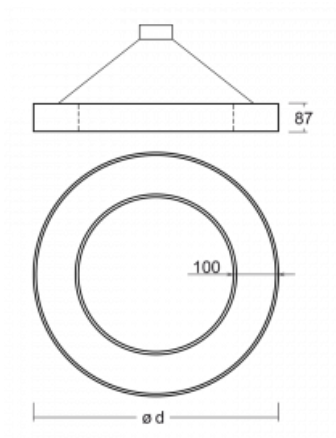



Luminaire

Rotao100

127-5F1K-10GED/840, S


Technical drawing


Type of installation	Suspended
Light distribution	Direct-indirect
Luminaire shape	Circular
Colour of the luminaires	Silver
Material	Aluminium
Lifetime	L80/B20 50 000 hours
Warranty	5 years
Description of luminaires	Luminaire suspended
Dimensions	ø 3000 mm × 87 mm
Weight	32.7 kg
Light source	LED MODUL
Type of optical system	Opal diffuser
Luminous flux*	18660 lm
Colour Temperature	4000 K cool white
Luminous efficacy	114 lm/W
MacAdam Light source	3
Colour rendering index	80
UGR max. X=4H Y=8H, $\rho=70,50,20$	21

Curve



Luminaire power input* 163 W

Connection of the luminaires DALI

Electrical voltage 220-240V

Frequency 50/60Hz

⊕ CE IP 20

* $\pm 10\%$

Downloads

Installation instructions



Photos

