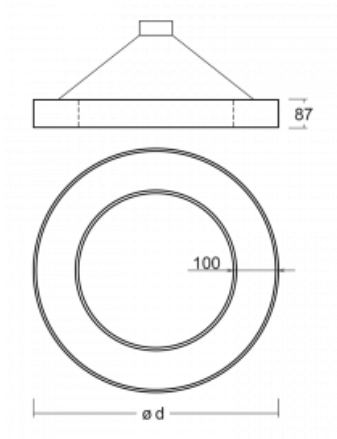



Luminaire

Rotao100

127-5FOK-10GGE/830, S


Technical drawing


| | |
|--|----------------------|
| Type of installation | Suspended |
| Light distribution | Direct |
| Luminaire shape | Circular |
| Colour of the luminaires | Silver |
| Material | Aluminium |
| Lifetime | L80/B20 50 000 hours |
| Warranty | 5 years |
| Description of luminaires | Luminaire suspended |
| Dimensions | ø 3000 mm × 87 mm |
| Weight | 32.7 kg |
| Light source | LED MODUL |
| Type of optical system | Opal diffuser |
| Luminous flux* | 18990 lm |
| Colour Temperature | 3000 K warm white |
| Luminous efficacy | 106 lm/W |
| MacAdam Light source | 3 |
| Colour rendering index | 80 |
| UGR max. X=4H Y=8H, $\rho=70,50,20$ | 23.7 |

Curve



Luminaire power input* 179.7 W

Connection of the luminaires ON/OFF

Electrical voltage 220-240V

Frequency 50/60Hz

 **CE** IP 20

* $\pm 10\%$

Downloads

Installation instructions



Photos

