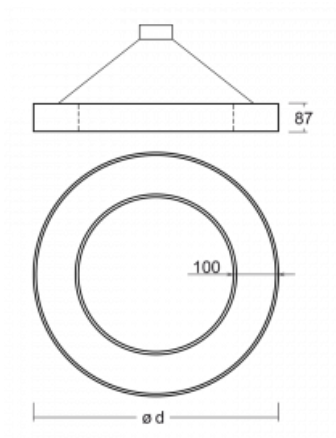



Luminaire

Rotao100

127-5D1I-10GGE/830, W


Technical drawing


Type of installation	Suspended
Light distribution	Direct-indirect
Luminaire shape	Circular
Colour of the luminaires	White
Material	Aluminium
Lifetime	L80/B20 50 000 hours
Warranty	5 years
Description of luminaires	Luminaire suspended
item description	White ceiling cup and cable
Dimensions	ø 2000 mm × 87 mm
Light source	LED MODUL
DIR optical system	Microprisma
INDIR optical system	Opal cover
Luminous flux*	13110 lm
Colour Temperature	3000 K warm white
Luminous efficacy	87 lm/W
MacAdam Light source	3
Colour rendering index	80
UGR max. X=4H Y=8H, ρ=70,50,20	17

Curve



Luminaire power input* 151.1 W

Connection of the luminaires ON/OFF

Electrical voltage 220-240V

Frequency 50/60Hz

⊕ CE IP 20

*±10 %

Downloads

Installation instructions



Photos

