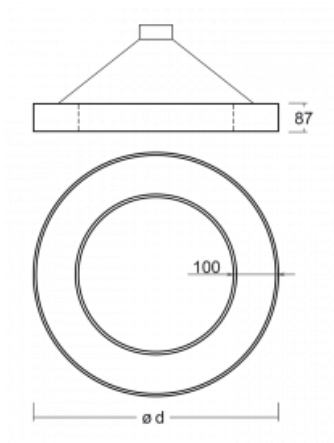



Luminaire

Rotao100

127-5C1K-10GEE/830, W


Technical drawing


| | |
|-----------------------------------|-----------------------------|
| Type of installation | Suspended |
| Light distribution | Direct-indirect |
| Luminaire shape | Circular |
| Colour of the luminaires | White |
| Material | Aluminium |
| Lifetime | L80/B20 50 000 hours |
| Warranty | 5 years |
| Description of luminaires | Luminaire suspended |
| item description | White ceiling cup and cable |
| Dimensions | ø 1500 mm × 87 mm |
| Weight | 19.9 kg |
| Light source | LED MODUL |
| DIR optical system | Opal diffuser |
| INDIR optical system | Opal cover |
| Luminous flux* | 7600 lm |
| Colour Temperature | 3000 K warm white |
| Luminous efficacy | 109 lm/W |
| MacAdam Light source | 3 |
| Colour rendering index | 80 |
| UGR max. X=4H Y=8H, ρ=70,50,20 | 21.3 |

Curve



Luminaire power input* 69.9 W

Connection of the luminaires ON/OFF

Electrical voltage 220-240V

Frequency 50/60Hz

⊕ CE IP 20

*±10 %

Downloads

Installation instructions



Photos

