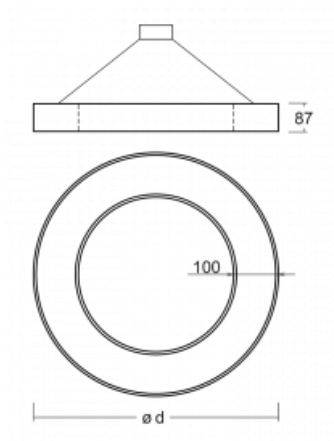



**Luminaire**

# Rotao100

127-580K-10GGE/840, S


**Technical drawing**


Type of installation	Suspended
Light distribution	Direct
Luminaire shape	Circular
Colour of the luminaires	Silver
Material	Aluminium
Lifetime	L80/B20 50 000 hours
Warranty	5 years
Description of luminaires	Luminaire suspended
item description	Silver ceiling cup and transparent cable
Dimensions	ø 850 mm × 87 mm
Weight	8.5 kg
Light source	LED MODUL
DIR optical system	Opal diffuser
Luminous flux*	5440 lm
Colour Temperature	4000 K cool white
Luminous efficacy	111 lm/W
MacAdam Light source	3
Colour rendering index	80
UGR max. X=4H Y=8H, ρ=70,50,20	23.8

## Curve



Luminaire power input\* 49 W

Connection of the luminaires ON/OFF

Electrical voltage 220-240V

Frequency 50/60Hz

⊕ CE IP 20

\*±10 %

## Downloads

Installation instructions



Photos

