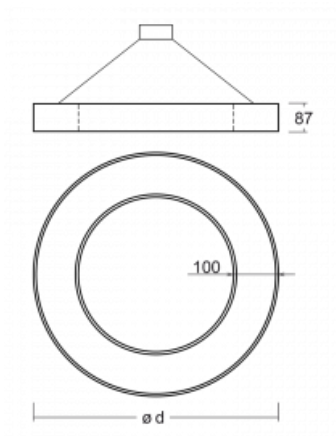



Luminaire

Rotao100

127-580I-10GGE/840, S


Technical drawing


Type of installation	Suspended
Light distribution	Direct
Luminaire shape	Annular
Colour of the luminaires	Silver
Material	Aluminium
Lifetime	L80/B20 50 000 hours
Warranty	5 years
Description of luminaires	Luminaire suspended
item description	Silver ceiling cup and transparent cable
Dimensions (l × w × h mm)	850 mm × 850 mm × 87 mm
Weight	9 kg
Light source	LED MODUL
DIR optical system	Microprisma
Luminous flux*	4380 lm
Colour Temperature	4000 K cool white
Luminous efficacy	89 lm/W
MacAdam Light source	3
Colour rendering index	80
UGR max. X=4H Y=8H, ρ=70,50,20	18.9

Curve



Luminaire power input* 49 W

Connection of the luminaires ON/OFF

Electrical voltage 220-240V

Frequency 50/60Hz

⊕ CE IP 20

*±10 %

Downloads

Installation instructions



Photos

