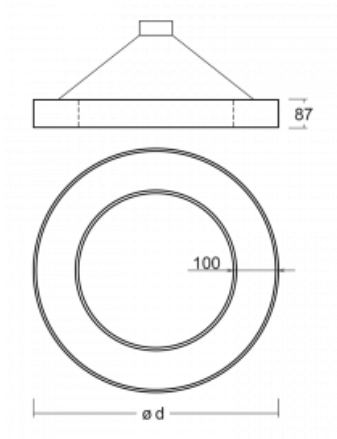



Luminaire

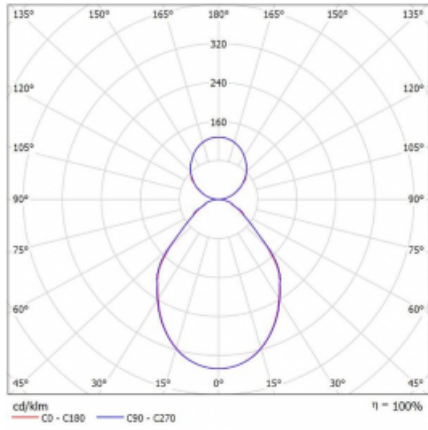
Rotao100

127-561I-10GGE/840, S


Technical drawing


| | |
|-----------------------------------|----------------------|
| Type of installation | Suspended |
| Light distribution | Direct-indirect |
| Luminaire shape | Circular |
| Colour of the luminaires | Silver |
| Material | Aluminium |
| Lifetime | L80/B20 50 000 hours |
| Warranty | 5 years |
| Description of luminaires | Luminaire suspended |
| Dimensions | ø 600 mm × 87 mm |
| Light source | LED MODUL |
| Type of optical system | Microprisma |
| Luminous flux* | 3520 lm |
| Colour Temperature | 4000 K cool white |
| Luminous efficacy | 91 lm/W |
| MacAdam Light source | 3 |
| Colour rendering index | 80 |
| UGR max. X=4H Y=8H, ρ=70,50,20 | 17.5 |

Curve



Luminaire power input* 38.8 W

Connection of the luminaires ON/OFF

Electrical voltage 220-240V

Frequency 50/60Hz

⊕ CE IP 20

* $\pm 10\%$

Downloads

Installation instructions



Photos

