



## Luminaire

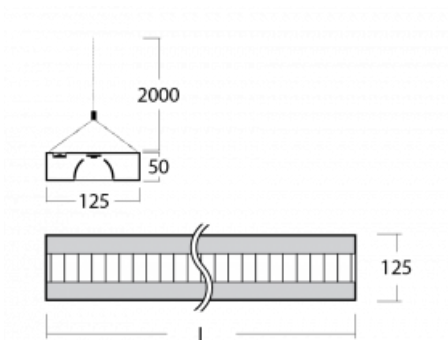
# Zuli

121-530M-30GEE/830, B



Do you remember the buzzing and flickering lights of your classroom? Fortunately these are long gone. Zuli pendant and surface-mounted LED luminaires ensure comfortable lighting in the classroom, offices and hospitals without these annoyances. These luminaires have direct or direct-indirect emission, with a choice of four lengths and microprism optics, grid and opal diffuser.

## Technical drawing



|  |                             |
|--|-----------------------------|
| Type of installation                   | Suspended                   |
| Light distribution                     | Direct                      |
| Luminaire shape                        | Angular                     |
| Colour of the luminaires               | Black                       |
| Material                               | Aluminium                   |
| Lifetime                               | L80/B20 50 000 hours        |
| Warranty                               | 5 years                     |
| Description of luminaires              | Luminaire suspended         |
| item description                       | Black ceiling cup and cable |
| Dimensions (l × w × h mm)              | 1705 mm × 125 mm × 50 mm    |
| Light source                           | LED MODUL                   |
| DIR optical system                     | Matt parabolic louvre       |
| Luminous flux*                         | 4170 lm                     |
| Colour Temperature                     | 3000 K warm white           |
| Luminous efficacy                      | 113 lm/W                    |
| MacAdam Light source                   | 2                           |
| Colour rendering index                 | 80                          |
| UGR max. X=4H<br>Y=8H, $\rho=70,50,20$ | 16.4                        |

## Curve



Luminaire power input\* 36.9 W

Connection of the luminaires ON/OFF

Electrical voltage 220-240V

Frequency 50/60Hz

⊕ CE IP 20

\* $\pm 10\%$

## Downloads

Installation instructions



Photos

