



## Luminaire

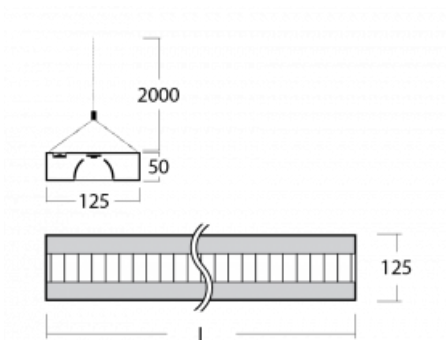
# Zuli

121-530M-25GGD/840, S



Do you remember the buzzing and flickering lights of your classroom? Fortunately these are long gone. Zuli pendant and surface-mounted LED luminaires ensure comfortable lighting in the classroom, offices and hospitals without these annoyances. These luminaires have direct or direct-indirect emission, with a choice of four lengths and microprism optics, grid and opal diffuser.

## Technical drawing



|                                   |  |
|-----------------------------------|--|
| Type of installation              | Suspended                                |
| Light distribution                | Direct                                   |
| Luminaire shape                   | Angular                                  |
| Colour of the luminaires          | Silver                                   |
| Material                          | Aluminium                                |
| Lifetime                          | L80/B20 50 000 hours                     |
| Warranty                          | 5 years                                  |
| Description of luminaires         | Luminaire suspended                      |
| item description                  | Silver ceiling cup and transparent cable |
| Dimensions (l × w × h mm)         | 1425 mm × 125 mm × 50 mm                 |
| Weight                            | 3.8 kg                                   |
| Light source                      | LED MODUL                                |
| DIR optical system                | Matt parabolic louvre                    |
| Luminous flux*                    | 4730 lm                                  |
| Colour Temperature                | 4000 K cool white                        |
| Luminous efficacy                 | 112 lm/W                                 |
| MacAdam Light source              | 2  |
| Colour rendering index            | 80                                       |
| UGR max. X=4H<br>Y=8H, ρ=70,50,20 | 17.4                                     |

## Curve



Luminaire power input\* 42.2 W

Connection of the luminaires DALI

Electrical voltage 220-240V

Frequency 50/60Hz

⊕ CE IP 20

\*±10 %

## Downloads

Installation instructions



Photos

