



Luminaire

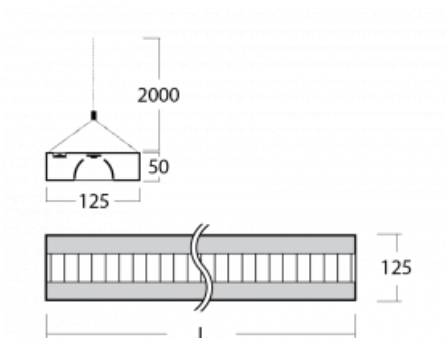
Zuli

121-530M-20GED/830, B



Do you remember the buzzing and flickering lights of your classroom? Fortunately these are long gone. Zuli pendant and surface-mounted LED luminaires ensure comfortable lighting in the classroom, offices and hospitals without these annoyances. These luminaires have direct or direct-indirect emission, with a choice of four lengths and microprism optics, grid and opal diffuser.

Technical drawing



| | |
|----------------------------------------|--------------------------|
| Type of installation | Suspended |
| Light distribution | Direct |
| Luminaire shape | Angular |
| Colour of the luminaires | Black |
| Material | Aluminium |
| Lifetime | L80/B20 50 000 hours |
| Warranty | 5 years |
| Description of luminaires | Luminaire suspended |
| Dimensions | 1145 mm × 125 mm × 50 mm |
| Weight | 3.1 kg |
| Light source | LED MODUL |
| Type of optical system | Matt parabolic louvre |
| Luminous flux* | 2780 lm |
| Colour Temperature | 3000 K warm white |
| Luminous efficacy | 113 lm/W |
| MacAdam Light source | 2 |
| Colour rendering index | 80 |
| UGR max. X=4H Y=8H, $\rho=70,50,20$ | 16.3 |

Curve



Luminaire power input* 24.6 W

Connection of the luminaires DALI

Electrical voltage 220-240V

Frequency 50/60Hz

⊕ CE IP 20

*±10 %

Downloads

Installation instructions



Photos

