



## Luminaire

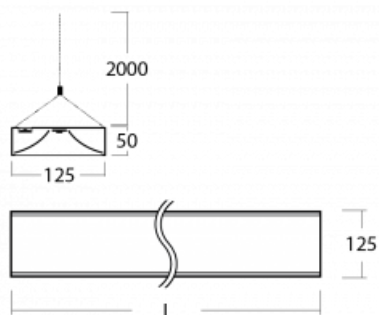
# Zuli

121-501K-30GGM/830, B



Do you remember the buzzing and flickering lights of your classroom? Fortunately these are long gone. Zuli pendant and surface-mounted LED luminaires ensure comfortable lighting in the classroom, offices and hospitals without these annoyances. These luminaires have direct or direct-indirect emission, with a choice of four lengths and microprism optics, grid and opal diffuser.

## Technical drawing



Type of installation	Suspended
Light distribution	Direct-indirect
Colour of the luminaires	Black
Material	Aluminium
Lifetime	L80/B20 50 000 hours
Warranty	5 years
Description of luminaires	Luminaire suspended
Dimensions	1705 mm × 125 mm × 50 mm
Light source	LED MODUL
Type of optical system	Opal diffuser
Luminous flux*	9810 lm
Colour Temperature	3000 K warm white
Luminous efficacy	125 lm/W
MacAdam Light source	2
Colour rendering index	80
Luminaire power input*	78.2 W
Connection of the luminaires	ON/OFF + 1h emergency
Electrical voltage	220-240V
Frequency	50/60Hz

 **CE** IP 20

\*±10 %

## Downloads

Installation instructions



Photos

