



Luminaire

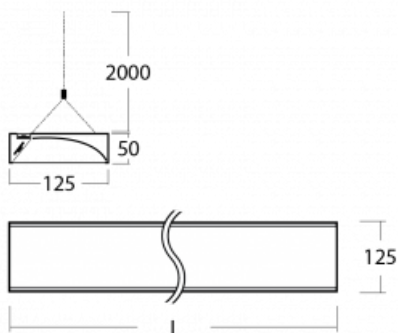
Zuli

121-501D-20GGD/830, W



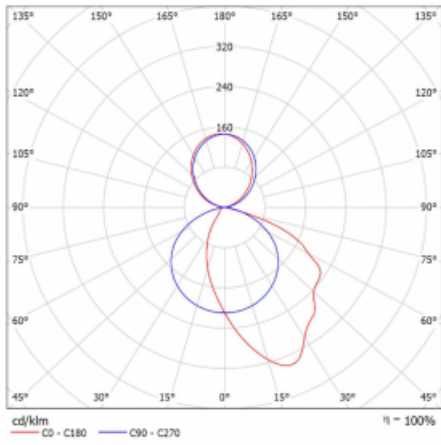
Do you remember the buzzing and flickering lights of your classroom? Fortunately these are long gone. Zuli pendant and surface-mounted LED luminaires ensure comfortable lighting in the classroom, offices and hospitals without these annoyances. These luminaires have direct or direct-indirect emission, with a choice of four lengths and microprism optics, grid and opal diffuser.

Technical drawing



Type of installation	Suspended
Light distribution	Direct-indirect
Luminaire shape	Angular
Colour of the luminaires	White
Material	Aluminium
Lifetime	L80/B20 50 000 hours
Warranty	5 years
Description of luminaires	Luminaire suspended
item description	White ceiling cup and cable
Dimensions (l × w × h mm)	1145 mm × 125 mm × 50 mm
Light source	LED MODUL
DIR optical system	Asymmetric reflector
INDIR optical system	Celar cover
Luminous flux*	5380 lm
Colour Temperature	3000 K warm white
Luminous efficacy	106 lm/W
MacAdam Light source	3
Colour rendering index	80

Curve



Luminaire power input* 50.6 W

Connection of the luminaires DALI

Electrical voltage 220-240V

Frequency 50/60Hz

⊕ CE IP 20

*±10 %

Downloads

Installation instructions



Photos

