



Luminaire

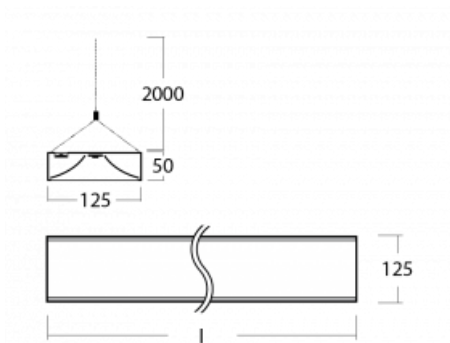
Zuli

121-500K-30GGE/840, W



Do you remember the buzzing and flickering lights of your classroom? Fortunately these are long gone. Zuli pendant and surface-mounted LED luminaires ensure comfortable lighting in the classroom, offices and hospitals without these annoyances. These luminaires have direct or direct-indirect emission, with a choice of four lengths and microprism optics, grid and opal diffuser.

Technical drawing



Type of installation	Suspended
Light distribution	Direct
Colour of the luminaires	White
Material	Aluminium
Lifetime	L80/B20 50 000 hours
Warranty	5 years
Description of luminaires	Luminaire suspended
Dimensions	1705 mm × 125 mm × 50 mm
Weight	4.3 kg
Light source	LED MODUL
Type of optical system	Opal diffuser
Luminous flux*	6470 lm
Colour Temperature	4000 K cool white
Luminous efficacy	138 lm/W
MacAdam Light source	2
Colour rendering index	80
Luminaire power input*	46.9 W
Connection of the luminaires	ON/OFF
Electrical voltage	220-240V
Frequency	50/60Hz

 **CE IP 20**

*±10 %

Downloads

Installation instructions



Photos

