



## Luminaire

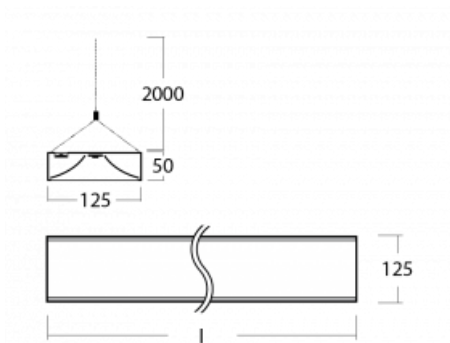
# Zuli

121-500K-20GEE/830, W



Do you remember the buzzing and flickering lights of your classroom? Fortunately these are long gone. Zuli pendant and surface-mounted LED luminaires ensure comfortable lighting in the classroom, offices and hospitals without these annoyances. These luminaires have direct or direct-indirect emission, with a choice of four lengths and microprism optics, grid and opal diffuser.

## Technical drawing



Type of installation	Suspended
Light distribution	Direct
Luminaire shape	Angular
Colour of the luminaires	White
Material	Aluminium
Lifetime	L80/B20 50 000 hours
Warranty	5 years
Description of luminaires	Luminaire suspended
item description	White ceiling cup and cable
Dimensions (l × w × h mm)	1145 mm × 125 mm × 50 mm
Weight	3.2 kg
Light source	LED MODUL
DIR optical system	Opal diffuser
Luminous flux*	2990 lm
Colour Temperature	3000 K warm white
Luminous efficacy	140 lm/W
MacAdam Light source	2
Colour rendering index	80
UGR max. X=4H Y=8H, ρ=70,50,20	22.9

## Curve



Luminaire power input\* 21.4 W

Connection of the luminaires ON/OFF

Electrical voltage 220-240V

Frequency 50/60Hz

⊕ CE IP 20

\*±10 %

## Downloads

Installation instructions



Photos

