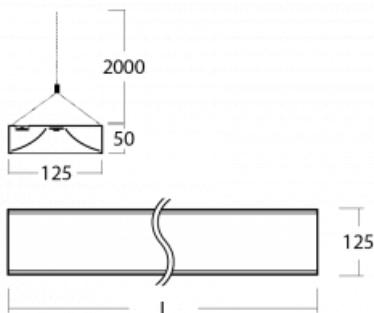



**Luminaire**

# Zuli

**121-500I-30GED/830, B**


Do you remember the buzzing and flickering lights of your classroom? Fortunately these are long gone. Zuli pendant and surface-mounted LED luminaires ensure comfortable lighting in the classroom, offices and hospitals without these annoyances. These luminaires have direct or direct-indirect emission, with a choice of four lengths and microprism optics, grid and opal diffuser.

**Technical drawing**


Type of installation	Suspended
Light distribution	Direct
Luminaire shape	Angular
Colour of the luminaires	Black
Material	Aluminium
Lifetime	L80/B20 50 000 hours
Warranty	5 years
Description of luminaires	Luminaire suspended
Dimensions	1705 mm × 125 mm × 50 mm
Light source	LED MODUL
Type of optical system	Microprisma
Luminous flux*	2630 lm
Colour Temperature	3000 K warm white
Luminous efficacy	121 lm/W
MacAdam Light source	2
Colour rendering index	80
UGR max. X=4H Y=8H, $\rho=70,50,20$	17.2

Luminaire power input\* 21.8 W

---

Connection of the luminaires DALI

---

Electrical voltage 220-240V

---

Frequency 50/60Hz

---

  IP 20

\*±10 %

## Downloads

Installation instructions



Photos

