



Luminaire

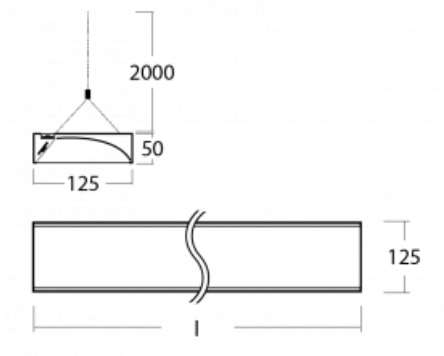
Zuli

121-500D-20GED/840, W



Do you remember the buzzing and flickering lights of your classroom? Fortunately these are long gone. Zuli pendant and surface-mounted LED luminaires ensure comfortable lighting in the classroom, offices and hospitals without these annoyances. These luminaires have direct or direct-indirect emission, with a choice of four lengths and microprism optics, grid and opal diffuser.

Technical drawing



| | |
|---------------------------|-----------------------------|
| Type of installation | Suspended |
| Light distribution | Direct |
| Luminaire shape | Angular |
| Colour of the luminaires | White |
| Material | Aluminium |
| Lifetime | L80/B20 50 000 hours |
| Warranty | 5 years |
| Description of luminaires | Luminaire suspended |
| item description | White ceiling cup and cable |
| Dimensions (l × w × h mm) | 1145 mm × 125 mm × 50 mm |
| Light source | LED MODUL |
| DIR optical system | Asymmetric reflector |
| Luminous flux* | 2850 lm |
| Colour Temperature | 4000 K cool white |
| Luminous efficacy | 118 lm/W |
| MacAdam Light source | 3 |
| Colour rendering index | 80 |

Curve



Luminaire power input* 24.1 W

Connection of the luminaires DALI

Electrical voltage 220-240V

Frequency 50/60Hz

⊕ CE IP 20

*±10 %

Downloads

Installation instructions



Photos

