



Luminaire

Lina80-S

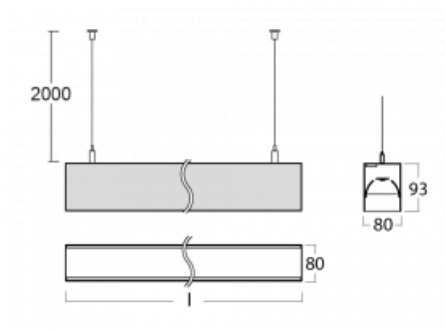
11S-501B-30GGD/840, W



EPD®

Lina80-S luminaires are available in recessed, surface, suspended or wall mounted versions, including the illuminated corner segments. Lina80-S system luminaire can be used to create different shapes or long lines, with special joints that prevent any light to shine through, creating thus a seamless visual effect, suitable for small offices as well as big halls.

Technical drawing



Type of installation	Wall mounted, Suspended
Light distribution	Direct-indirect
Luminaire shape	Linear
Colour of the luminaires	White
Material	Aluminium
Lifetime	L90/B50 50 000 hours
Warranty	5 years
Description of luminaires	Luminaire wall mounted/suspended
Dimensions	1683 mm × 80 mm × 93 mm
Light source	LED MODUL
Type of optical system	MP PRO UGR
Luminous flux*	7590 lm
Colour Temperature	4000 K cool white
Luminous efficacy	135 lm/W
MacAdam Light source	2
Colour rendering index	80
UGR max. X=4H Y=8H, ρ=70,50,20	15.5

Luminaire power input* 56.2 W

Connection of the luminaires DALI

Electrical voltage 220-240V

Frequency 50/60Hz

  IP 40

*±10 %

Downloads

Installation instructions



Photos



Accessories


00-00200, N
straight connector



00-00300, N
wire suspension
2000mm



00-00301, N
wire suspension
4000mm



00-00302, N
wire suspension
6000mm



00-00355, K
cable 5x0,75 2000mm



00-00356, K
cable 5x0,75 4000mm



00-00363, K
cable 5x1,5 2000mm



00-00364, K
cable 5x1,5 4000mm



00-00365, K
cable 5x1,5 6000mm



00-00366, K
cable 7x0,75 2000mm



00-00367, K
cable 7x0,75 4000mm



00-00368, K
cable 7x0,75 6000mm



00-00370, W
ceiling cup 80x80x32mm



00-01200, F
Accessory for gear-tray
release



00-20101, W
2xend cap - metal, 5-
conductor terminal box,
grommet; Lipo80/Lina80



00-20103, W
2xend cap - plastic, 5-
conductor terminal box,
grommet; Lipo80/Lina80



00-20700, W
2 pcs of wall fastening
Lipo/Lina



00-51301, W
set for suspension into
3-phase track, dimmable
luminaires